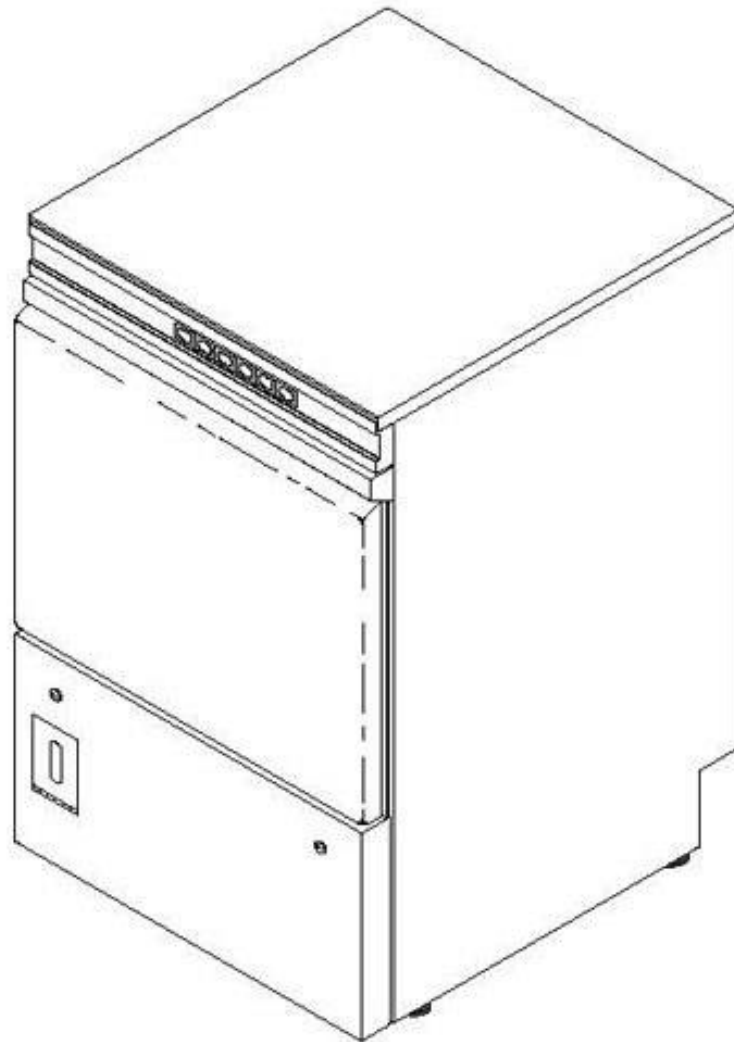


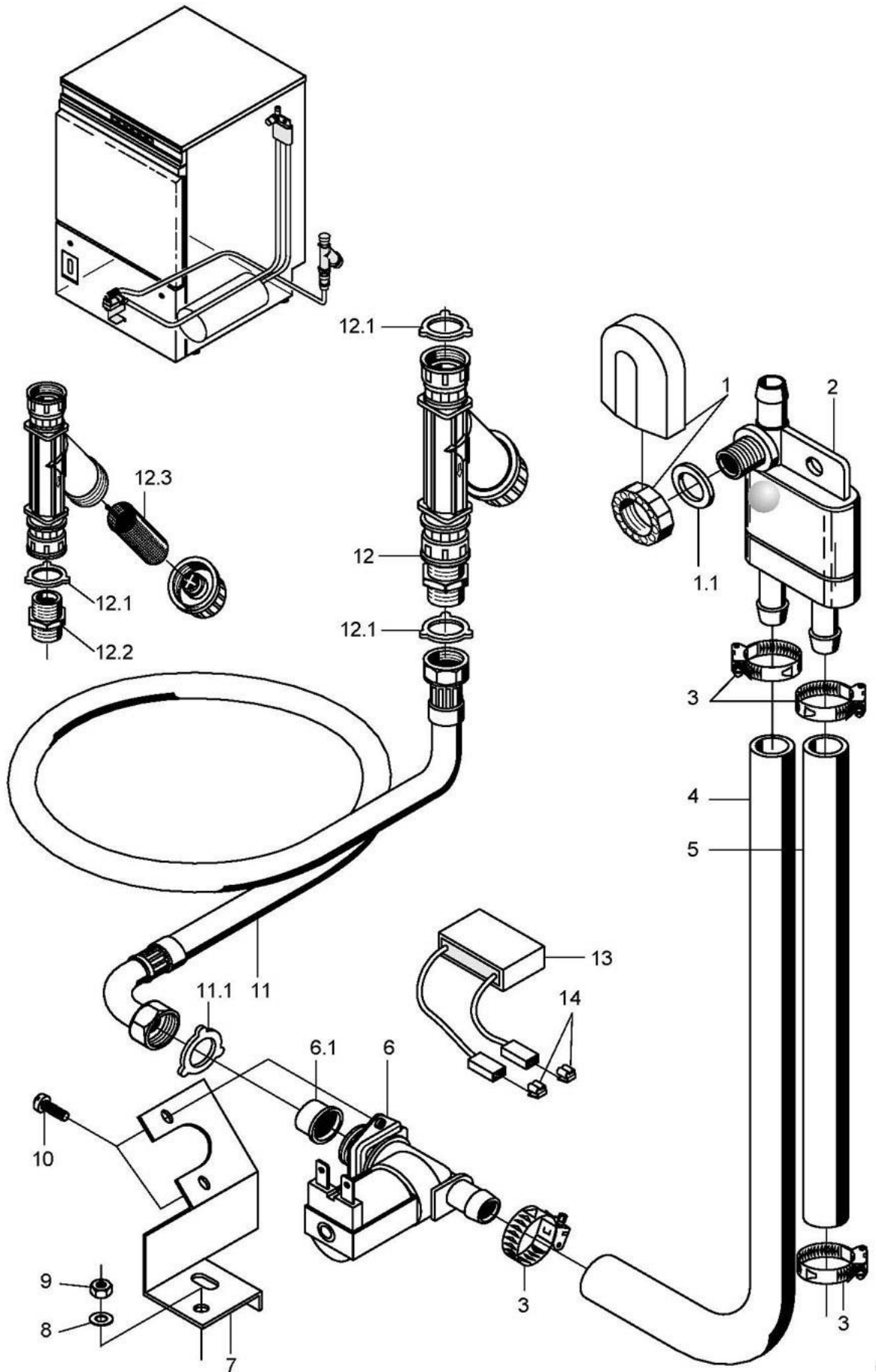
winterhalter

Spare parts list GS 14, 14E, 15, 15E



Contents

Water inlet		Page 1 - 2
SoftMatik (softener)		Page 3 - 4
Tank heating and water drain		Page 5 - 6
Wash pump		Page 7 - 8
Wash system		Page 9 - 10
Pressure boiler		Page 11 - 12
Pressure-independent boiler	to machine no.: 345 471	Page 13 - 14
Pressure-independent boiler	From machine no.: 345 472	Page 15 - 16
Rinse system	to machine no.: 396 847	Page 17 - 18
Rinse system	From machine no.: 396 848	Page 19 - 20
Dosage		Page 21 - 22
Chassis, container and panelling		Page 23 - 24
Door		Page 25 - 26
Electrical parts I		Page 27 - 28
Electrical parts II		Page 29 - 30
Drain pump (optional)	to machine no.: 360 703	Page 31 - 32
Drain pump (optional)	From machine no.: 360 704	Page 33 - 34
Frost-proofing (optional)		Page 35 - 36

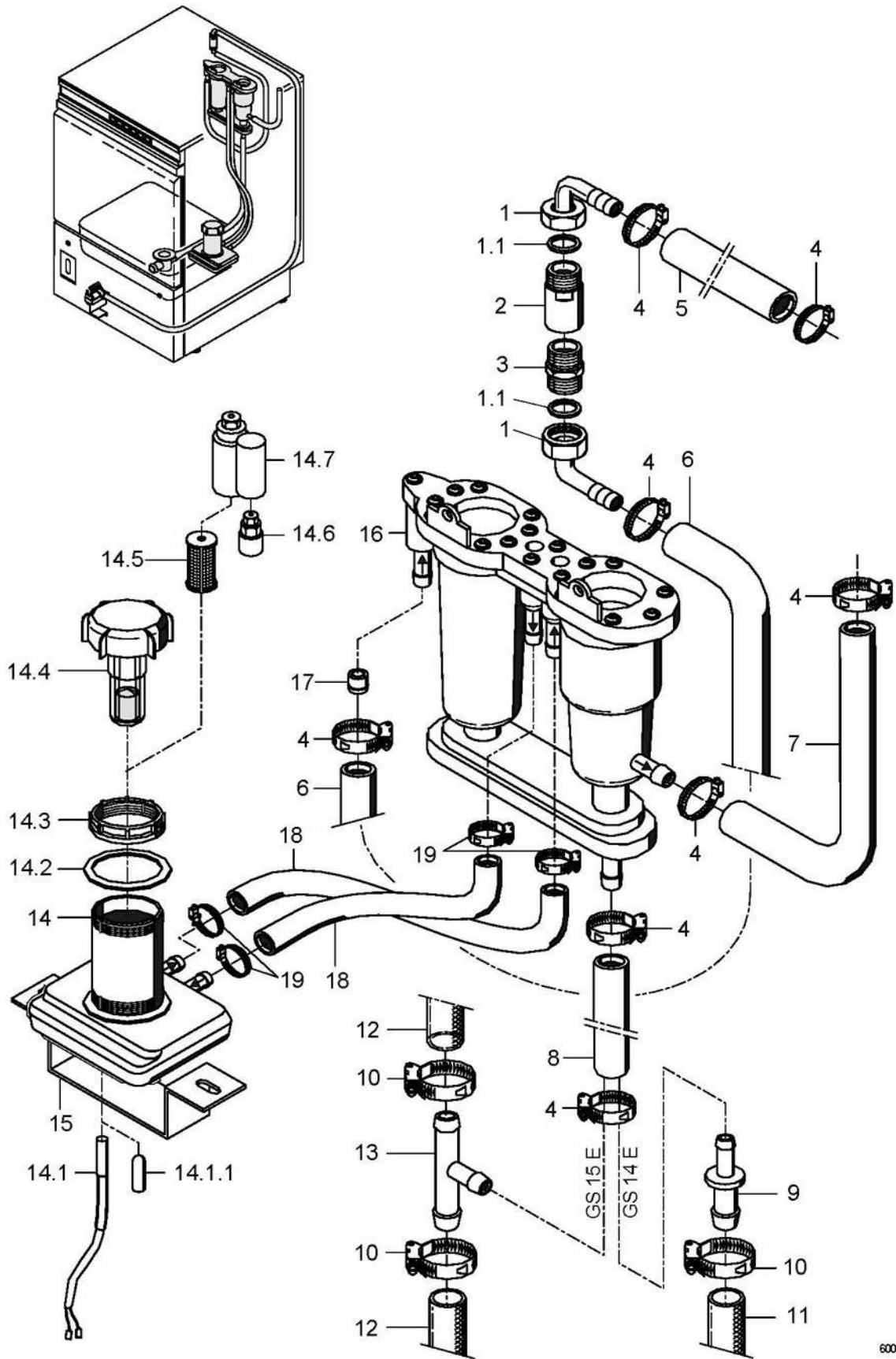


60002830-00

GS 14, 14E, 15, 15E

Water inlet

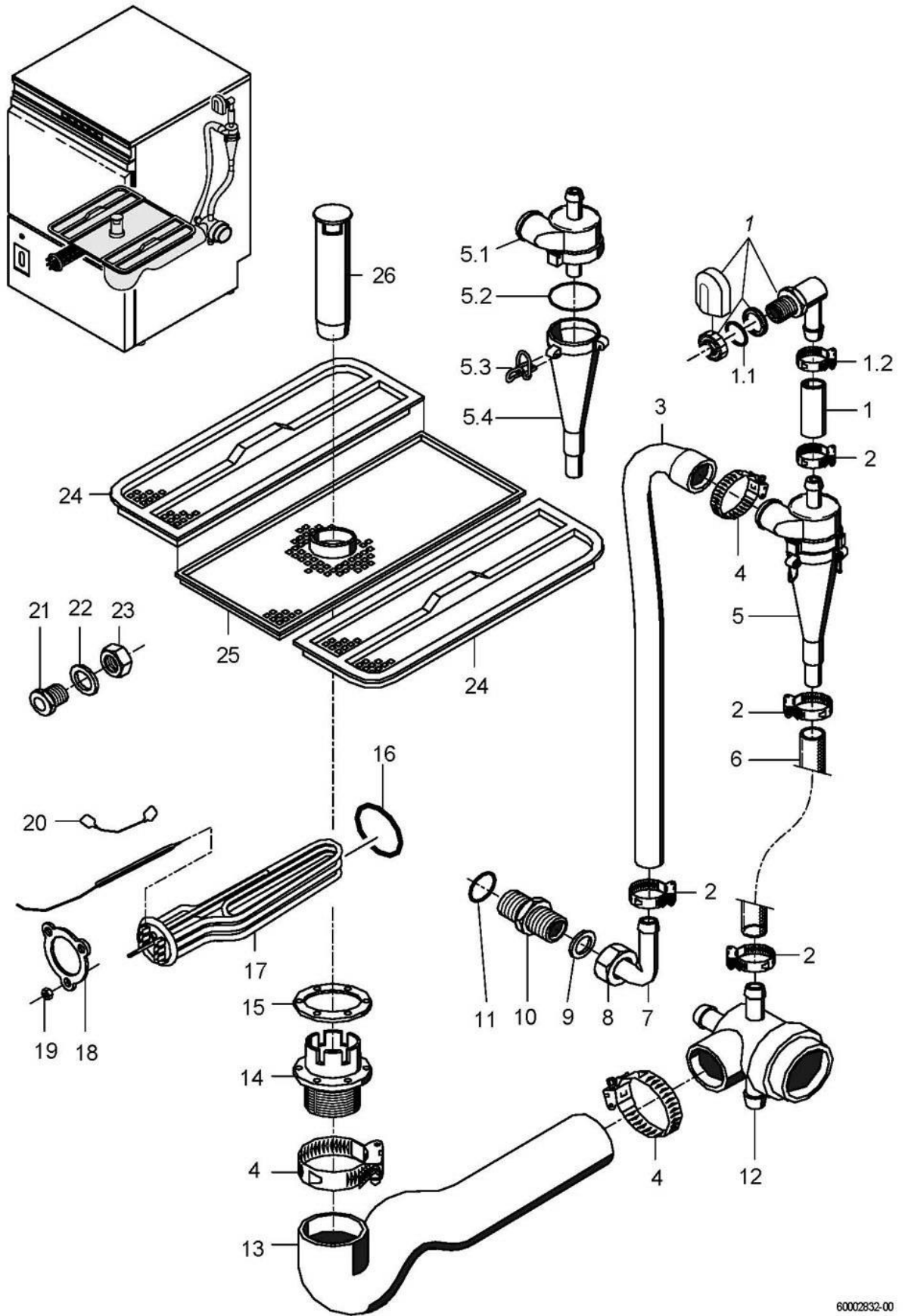
Item.	Designation	Parts no.:	Pc.	Notes
1	Tank inlet set	61004545		incl. item 1.1
1.1	Gasket; D17 X D24 X 2,0	62001366		
2	Lateral check valve	35 01 194		
3	Hose clamp; D12-22 X 9	28 02 105		
4	Industrial hose; DN13 X 3,5	40 02 035		940 mm; "By-the-metre" goods
5	Industrial hose; DN13 X 3,5	40 02 035		1060 mm; "By-the-metre" goods
6	Solenoid valve flow restrictor 15l; 220-240V/50-60HZ	31 06 180		
6	Solenoid valve flow restrictor 5l; 220-240V/50-60HZ	31 06 174		SoftMatik
6	Solenoid valve flow restrictor 15l; 180-220V/50-60HZ	31 06 198		Japan
6	5 l solenoid valve set; 200-240V/50-60HZ/+10%	60004147		SoftMatik Japan; Australia
o.P.	Double solenoid valve; 220-240V/50-60HZ	31 06 182		
6.1	Solenoid valve filter	31 06 186		
7	Solenoid valve bracket; 1,5 X 100 X 114	62001891		
8	Washer; D5,3 X D10 X 1,0	22 01 300		
9	Hexagonal nut; M5 SELBSTSICHERND	21 05 302		
10	Countersunk screw; M4 X 8	20 10 309		
11	Metal hose; DN13 X 2000; G3/4"	29 01 321		incl. item 11.1
11.1	Gasket; D16 X D24 X 3,0	80002241	2	
12	Dirt trap; 150 µM	80002153		incl. item 12.1 - 12.3
12.1	Gasket; D16 X D24 X 3,0	80002241	2	
12.2	Double nipple; G 3/4" X 40; SW30	80002167		
12.3	Strainer; D27 X 67 X 150µM	80002728		
13	RC element; 0,15 MICRO F; 3,3 KOHM	31 13 114		only with Aquamatik; parallel to item 6 connect
14	Flat plug; 6,3 X 0,8	31 12 018		only with Aquamatik; parallel to item 6 connect



60002831-00

GS 14, 14E, 15, 15E**SoftMatik (softener)**

Item.	Designation	Parts no.:	Pc.	Notes
1	Hose nipple, angled; D18	60002474		incl. item 1.1
1.1	Gasket; D16 X D24 X 3,0	80002241		
2	Anti-vacuum dev./backflow prev	29 03 237		
3	Double nipple; R 3/4" X 40; SW28	51 01 369		
4	Hose clamp; D12-22 X 9	28 02 105		
5	Industrial hose; DN13 X 3,5	40 02 035		1620 mm; "By-the-metre" goods
6	Industrial hose; DN13 X 3,5	40 02 035		730 mm; "By-the-metre" goods
7	Industrial hose; DN13 X 3,5	40 02 035		370 mm; "By-the-metre" goods
8	Hose; DN9 X 3,0;	40 01 040		270 mm; "By-the-metre" goods GS 15E
8	Industrial hose; DN13 X 3,5	40 02 035		250 mm; Metre item; GS 14E without drain pump
8	Industrial hose; DN13 X 3,5	40 02 035		600 mm; Metre item; GS 14 E with drain pump
9	Hose connecting piece; 3/4" X 1/2" X 62 LG	29 06 520		
10	Hose clamp; D20-30 X 12	28 02 109		
11	Industrial hose; DN19,4 X 3,5	40 01 016		60 mm; Metre item; GS 14E without drain pump
12	Industrial hose; DN19,4 X 3,5	40 01 016		600 mm; Metre item; GS 15E
13	T-hose socket; D18 X D18 X D10	29 06 502		GS 15E
14	Kit salt container softmatik	55 28 197		incl. item 14.1 - 14.7
14.1	Set magnet switch softmatik	55 28 198		incl. item 14.1.1
14.1.	End cap; D5,7 X 25,4	35 06 180		
14.2	Gasket; D65 X D80 X 3,0	83000384		
14.3	Coupling nut; S65 X 4	83000380		
14.4	Cap	83000372		incl. floater insert
14.5	Suction sieve; D16,7 X 53	83000362		
14.6	Jet cpl.	83000355		
14.7	Cap	83000354		
15	Bracket; 1,25 X 25 X 253,5	60002366		
16	Water softener softmatik	83000334		
17				replaced by solenoid valve 31 06 174
18	Hose; DN9 X 3,0;	40 01 040		660 mm; "By-the-metre" goods
19	Hose clamp; D10-16 X 9	28 02 307		
o.P.	Regeneration salt; 12 KG	33 05 017		
o.P.	Filling funnel	35 02 013		
o.P.	Tool for locking nut; 3,0 X 85,5 X 187,75	83000499		for item 14.3

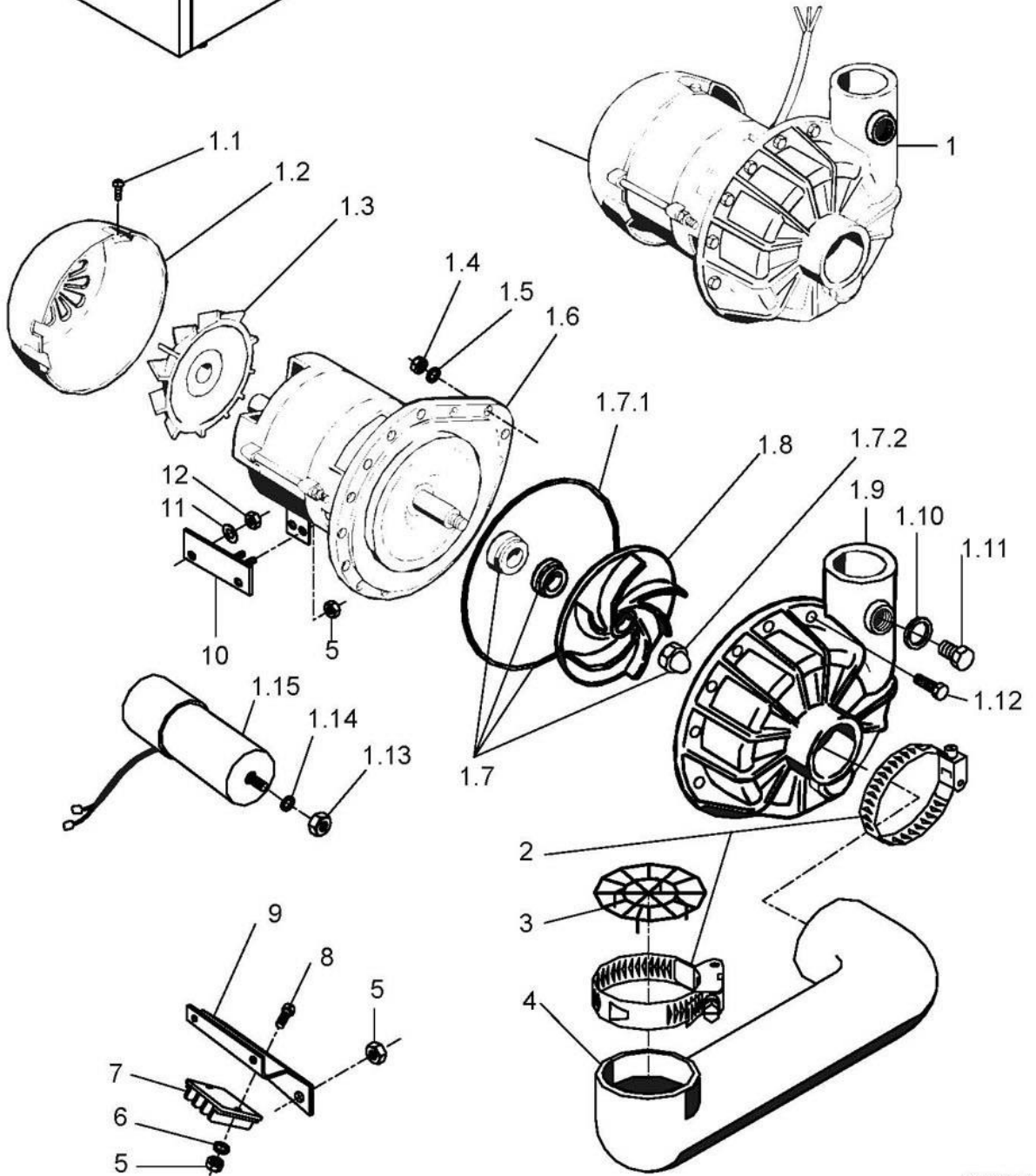
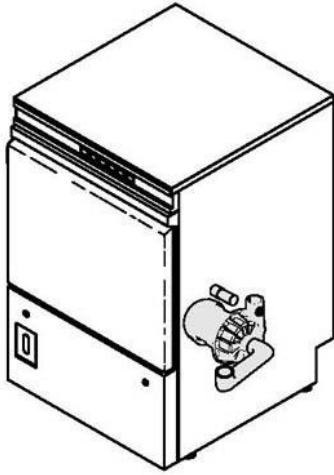


60002832-00

GS 14, 14E, 15, 15E

Tank heating and water drain

Item.	Designation	Parts no.:	Pc.	Notes
1	Mediamat inlet set cpl.	55 31 001		GS 15 / GS 15E
1.1	Gasket; D21 X D28 X 2,0	27 09 011		replaced by 55 31 001
1.1	Gasket; D20,5 X D28,5 X 2,0	27 01 002		replaced by 55 31 001
1.1	O-ring; 20 X 3	27 07 031		
1.2	Hose clamp; D20-30 X 12	28 02 109		GS 15 / GS 15E
1.3	Hose; DN16 X 4,0; 800	61002797		GS 15 / GS 15E
2	Hose clamp; D20-30 X 12	28 02 109		GS 15 / GS 15E
3	Reducing elbow; DN16 X DN30; 90 X 345	60001699		GS 15 / GS 15E
4	Hose clamp; D32-52 X 12	28 02 110		GS 15 / GS 15E
5	Mediamat	55 27 040		GS 15 / GS 15E
5.1	Mediamat top section; ZULAUF D30; XX LG	35 01 124		GS 15 / GS 15E
5.2	O-ring; 51 X 3	27 07 043		GS 15 / GS 15E
5.3	Wash arm end piece clip; D2,0	28 04 041	4	GS 15 / GS 15E
5.4	Accelerator; D75 X 169 X D4,3	35 01 035		GS 15 / GS 15E
6	Industrial hose; DN19,4 X 3,5	40 01 016		GS 15 / GS 15E
7	Mediamat connection elbow; D17; 90GRAD	29 06 524		GS 15 / GS 15E
8	Union nut; G 3/4" X D20,5; SW30	29 07 203		GS 15 / GS 15E
9	Gasket; D19,5 X D24 X 1,5	27 09 010		GS 15 / GS 15E
10	Mediamat connection nipple; G 1/2" X G 3/4" X 32	30 11 502		GS 15 / GS 15E
11	O-ring; 20 X 3,5	27 07 040		GS 15 / GS 15E
12	Mediamat drain; G 1 1/2"; D40	35 01 080		
13	Syphon; DN38/40 X 4	40 03 040		
14	Stand pipe bottom part; D87 X 50,5	62001805		
15	Gasket; D52 X D83,5 X 2,0	62001749		
16	O-ring; 43 X 7,0	27 07 088		
17	Heating element cranked 2,2kW; 230V/1	31 03 082		GS 14 / GS 14E
17	Heating element 2,0kW; 240V/1	31 03 088		GS 14 / GS 14E
17	Heating element cranked 2,2kW; 200V/1	31 03 108		GS 14 / GS 14E
17	Heating element cranked/ L 5,0kW; 230V/400V/3	31 03 089		GS 15 / GS 15E
17	Heating element cranked/ L 5,0kW; 240V/420V/3	31 03 094		GS 15 / GS 15E
17	Heating element cranked/ L 5,0kW; 200V/346V/3	31 03 103		GS 15 / GS 15E
18	Locking washer; D43 X D80 X 4,0	01 17 003		
19	Hexagonal nut; M5	21 01 203		
20	Star bridge; 2,5QMM; 90 LG	31 23 088		
21	Gland for thermostat; M14 X 1,0 X 15; SW19	31 25 001		
22	Gasket; D14,2 X D20 X 2,0	27 09 036		
23	Hexagonal nut; M14 X 1,0 X 5,0	31 25 002		
24	Scrap tray	62001943		
25	Surface strainer central piece; 8,5 X 127 X 300	62001882		
26	Stand pipe; ÜBERLAUFHÖHE 185	29 04 250		

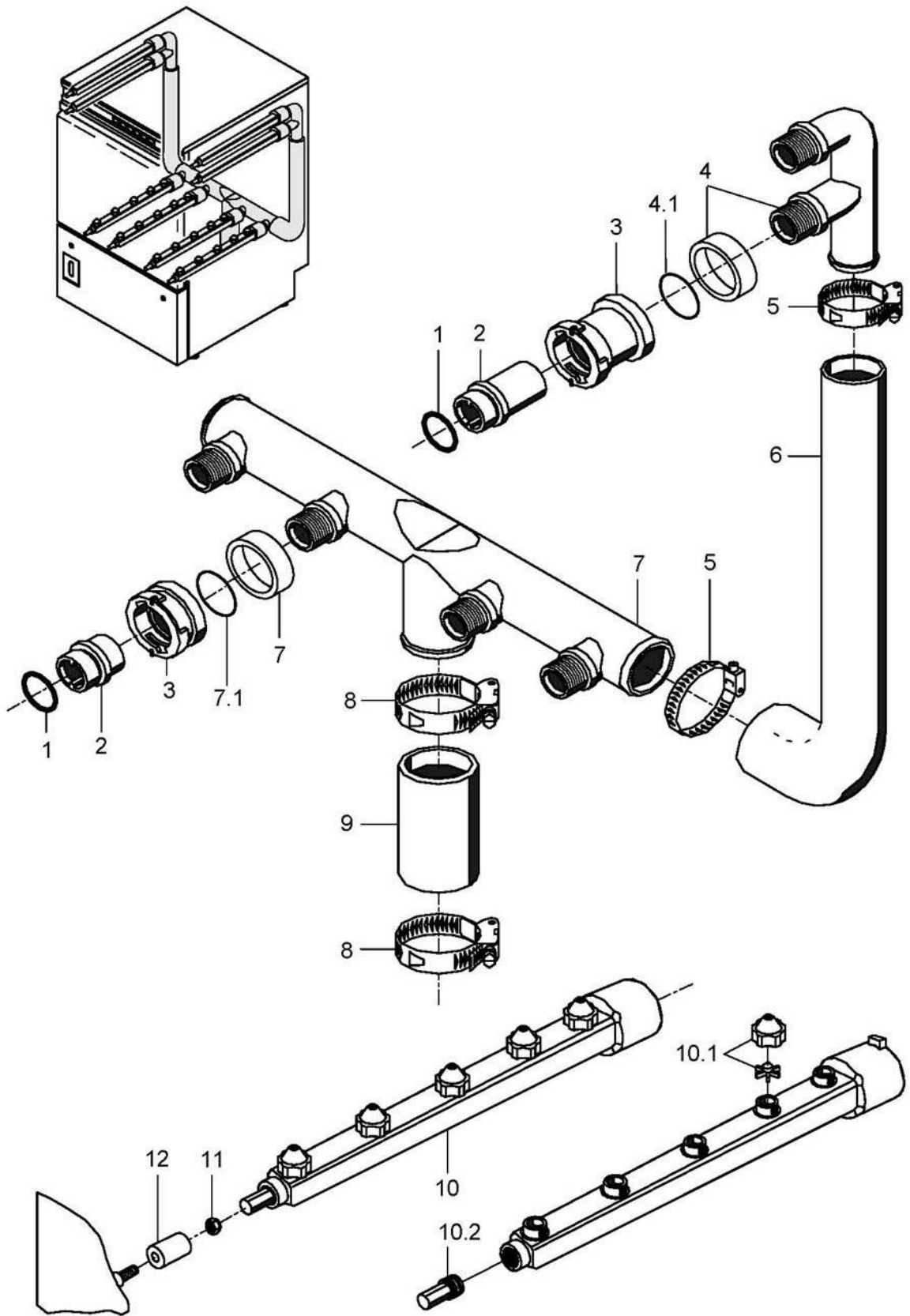


60002833-01

GS 14, 14E, 15, 15E

Wash pump

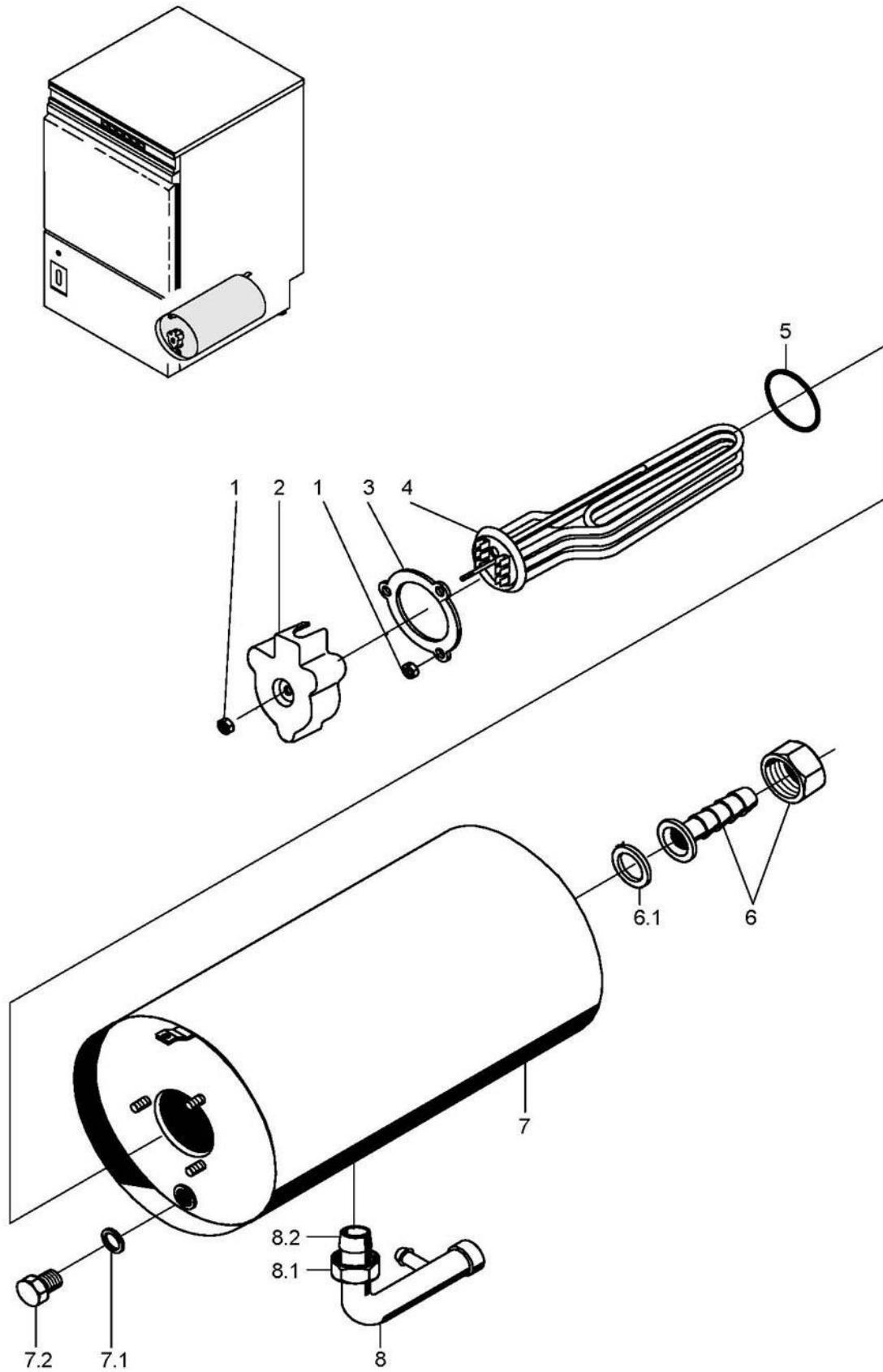
Item.	Designation	Parts no.:	Pc.	Notes
1	Pump 0.73 kW 2/0; 230V/1/50HZ	31 02 277		incl. item 1.1 - 1.15
1	Pump 0.73 kW 2/0; 230V/1/60HZ	31 02 092		incl. item 1.1 - 1.15
1	Pump 0.73 kW 2/0; 200V/1/50HZ	31 02 322		incl. item 1.1 - 1.15
1	Pump 0.73 kW 2/0; 200V/1/60HZ	31 02 323		incl. item 1.1 - 1.15
1.1	Raised head screw; M4 X 8	20 10 310		
1.2	Fan hood; 0,73 KW	31 02 229		
1.3	Fan blade	31 02 230		
1.4	Hexagonal nut; M4	21 01 202		
1.5	Washer; D4,3 X D8 X 0,5	22 02 202		
1.6	Flange	31 02 378		
1.7	Gasket set; 1, 1/1, 7/1,85/0,73 KW	80002670		
1.7.1	O-ring; 158,35 X 3,53	31 02 209		
1.7.2	Cap nut; M8 SELBSTSICHERND	21 10 305		
1.8	Pump impeller; D106	31 02 231		50 Hz
1.8	Pump impeller; D90; 60HZ	31 02 326		60 Hz
1.9	Pump housing	31 02 204		
1.10	O-ring; 20 X 3,5	27 07 040		
1.11	Dummy plug; G 1/2" X 20,5	35 01 108		GS 14 / GS 14E
1.12	Hexagon screw; M4 X 25; 8.8	20 01 020		
1.13	Hexagonal nut; M8	21 01 305		
1.14	Spring washer; B8	23 03 301		
1.15	Capacitor; 20 MIKRO F	31 13 062		
2	Hose clamp; D62-82 X 12	28 02 137		
3	Inline filter; D72	62001956		
4	Hose elbow; DN62 X 9,0	40 03 042		
5	Hexagonal nut; M4	21 01 202		
6	Washer; D4,3 X D8 X 0,5	22 02 202		
7	Distribution bar; 3-POLIG	31 09 011		
8	Pan head screw; M4 X 16	20 10 213		
9	Pump cover; 1,0 X 115 X 167	62001540		
10	Motor bracket; 2,0 X 40 X 90	60001939		
11	Washer; D5,3 X D12 X 0,8	22 02 313		
12	Hexagonal nut; M5 SELBSTSICHERND	21 05 302		



60002834-01

GS 14, 14E, 15, 15E**Wash system**

Item.	Designation	Parts no.:	Pc.	Notes
1	O-ring; 28 X 2,5	27 07 049		
2	Locking nut; D38 X 28; G 3/4"	61004059	6	up to mach. no. 347 022 8 pieces
2	Locking nut; D38 X 53; G 3/4"	61004061	2	From machine no.: 347 023 only lower wash arms upper wash system
3	Locking ring; D49 X 28	61002023	6	up to mach. no. 347 022 8 pieces
3	Locking ring; D49 X 53	61002391	2	From machine no.: 347 023 only lower wash arms upper wash system
4	Wash manifold cpl.	60002856	2	incl. item 4.1
4.1	O-ring; 24 X 3,0	27 07 087		
5	Hose clamp; D32-52 X 12	28 02 110		
6	Reducing elbow; DN35 X DN40	60001851	2	
7	Wash manifold cpl.	60002855		incl. item 7.1
7.1	O-ring; 24 X 3,0	27 07 087		
8	Hose clamp; D47-67 X 12	28 02 115		
9	Reinforced hose; DN50 X 4,5	40 02 012		55 mm; "By-the-metre" goods
10	Wash arm cpl.; 5 DÜSEN; 441 LG	60001846	8	incl. item 10.1 - 10.2
10.1	Jet cpl.	60002465	5	
10.2	Wash arm plug; G 1/2" X 37	35 01 210		
11	Hexagonal nut; M4 SELBSTSICHERND	21 05 300		
12	Guide for washarm; D28 X 30	61002263		
o.P.	Tool for locking nut; SW15	80002052		for item 2
o.P.	Set wash arm top	55 28 194		

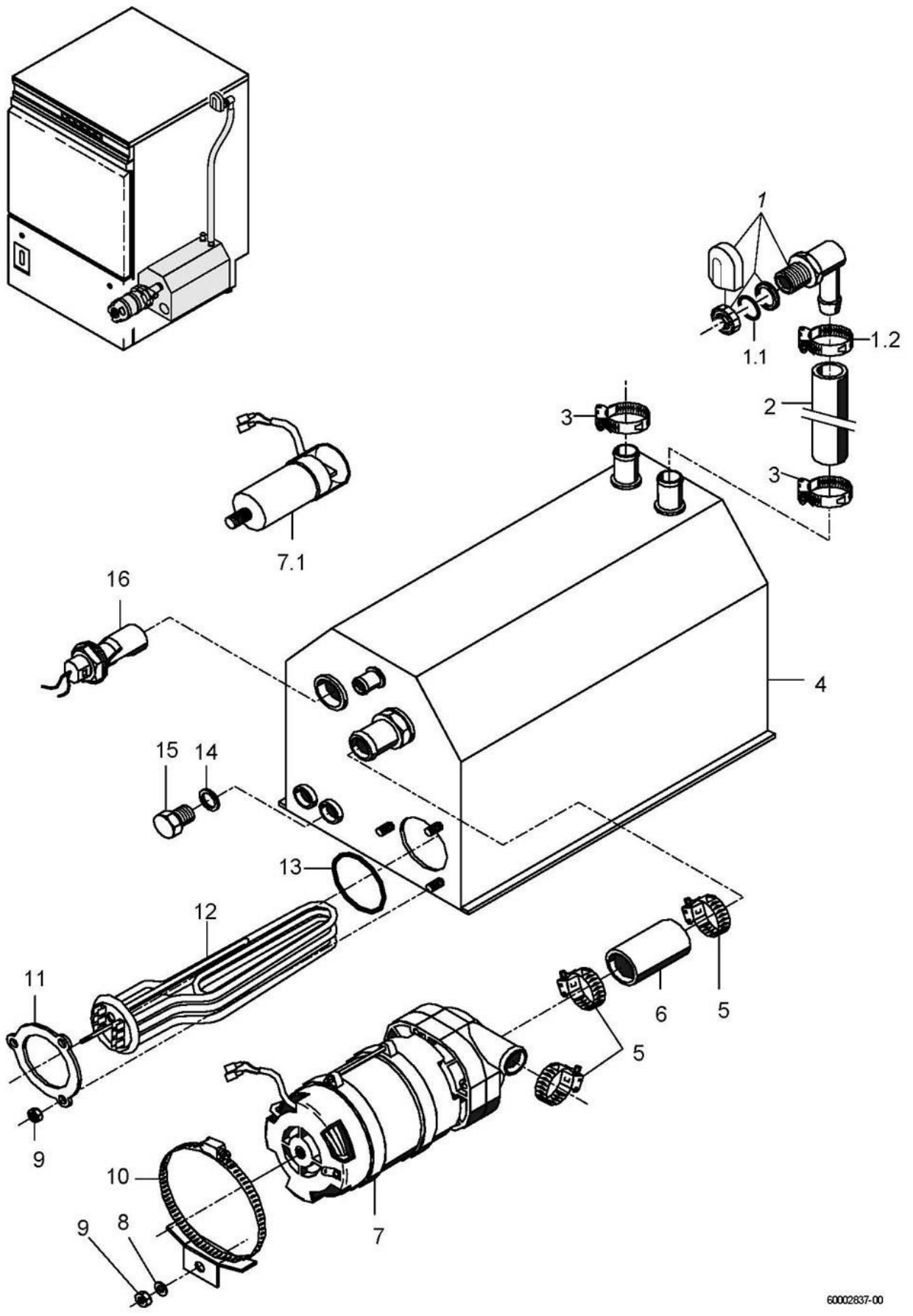


60002836-00

GS 14, 14E, 15, 15E

Pressure boiler

Item.	Designation	Parts no.:	Pc.	Notes
1	Hexagonal nut; M5	21 01 203		
2	Element cover; 50 X D67 X 89,5	31 03 014		
3	Locking washer; D43 X D80 X 4,0	01 17 003		
4	Heating element cranked 2,2kW; 230V/1	31 03 082		GS 14 / GS 14E
4	Heating element 2,0kW; 240V/1	31 03 088		GS 14 / GS 14E
4	Heating element cranked 2,2kW; 200V/1	31 03 108		GS 14 / GS 14E
4	Heating element cranked 5,0kW; 230V/400V/3	31 03 030		GS 15 / GS 15E
4	Heating element cranked 5,0kW; 240V/420V/3	31 03 032		GS 15 / GS 15E
4	Heating element cranked 5,0kW; 200V/346V/3	31 03 098		GS 15 / GS 15E
5	O-ring; 43 X 7,0	27 07 088		
6	Hose coupling; R 3/4" X 1/2"	60002453		incl. item 6.1
6.1	Gasket; D16 X D24 X 3,0	80002241		
7	Boiler; 5 KW	55 12 033		incl. item 7.1 – 7.2
7.1	Gasket; D10 X D18 X 1,5	27 03 003		
o.P.	Boiler - 2 temp.	60001955		for 2 thermostats
7.2	Hexagon screw; M10 X 16; A70	20 01 352		
8	Boiler inlet elbow	55 09 055		incl. item 8.1 - 8.2
8.1	Union nut; G 1/2" X D12,2; SW24	29 07 201		
8.2	Cutting ring; D12 X 10	29 07 300		

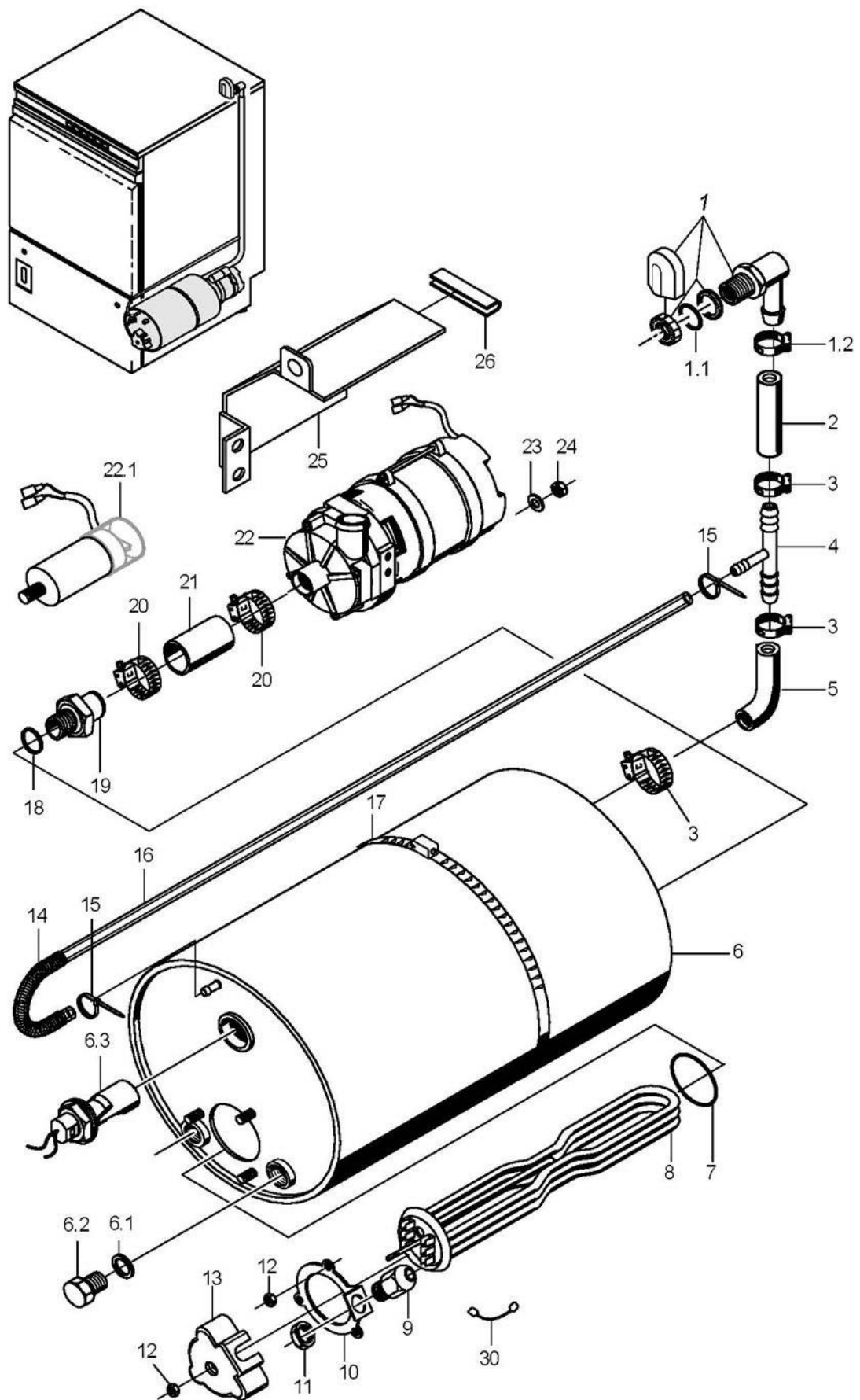


60002837-00

GS 14, 14E, 15, 15E

Pressure-independent boiler to machine no.: 345 471

Item.	Designation	Parts no.:	Pc.	Notes
1	Set tank inlet	60002686		incl. item 1.1 - 1.2
1.1	Gasket; D21 X D28 X 2,0	27 09 011		replaced by 60002686
1.1	Gasket; D20,5 X D28,5 X 2,0	27 01 002		replaced by 60002686
1.1	O-ring; 20 X 3	27 07 031		
1.2	Hose clamp; D20-30 X 12	28 02 109		
2	Industrial hose; DN13 X 3,5	40 02 035		650 mm; "By-the-metre" goods
3	Hose clamp; D20-30 X 12	28 02 109		
4	Set aquamatik	55 28 212		
5	Hose clamp; D24-36 X 12	28 02 111		
6	Reinforced hose; DN25 X 4,5	40 01 038		80 mm; "By-the-metre" goods
7	Pump 0.270 kW 8/0; 220/240V/1/50HZ	31 02 477		
7	Pump 0.270 kW 8/0; 220/240V/1/60HZ	31 02 445		
7	Pump 0.270 kW 8/0; 200V/1/50HZ	31 02 446		
7	Pump 0.270 kW 8/0; 200V/1/60HZ	31 02 447		
7.1	Capacitor; 5 MIKRO F	31 13 099		
8	Washer; D5,3 X D10 X 1,0	22 01 300		
9	Hexagonal nut; M5	21 01 203		
10	Pump bracket; 1,5 X 30 X 35	60001994		
11	Locking washer; D43 X D80 X 4,0	01 17 003		
12	Heating element cranked 2,2kW; 230V/1	31 03 082		GS 14 / GS 14E
12	Heating element 2,0kW; 240V/1	31 03 088		GS 14 / GS 14E
12	Heating element cranked 2,2kW; 200V/1	31 03 108		GS 14 / GS 14E
12	Heating element cranked 5,0kW; 230V/400V/3	31 03 030		GS 15 / GS 15E
12	Heating element cranked 5,0kW; 240V/420V/3	31 03 032		GS 15 / GS 15E
12	Heating element cranked 5,0kW; 200V/346V/3	31 03 098		GS 15 / GS 15E
13	O-ring; 43 X 7,0	27 07 088		
14	Gasket; D10 X D18 X 1,5	27 03 003		
15	Hexagon screw, M10 X 16; A70	20 01 352		
16	Floating switch installation set	55 28 255		
o.P.	Rubber seal; D27 X D20 X 14	31 26 036		
o.P.	Splash guard for rinse pump; 75,9 X 99,2 X 100	60002153		

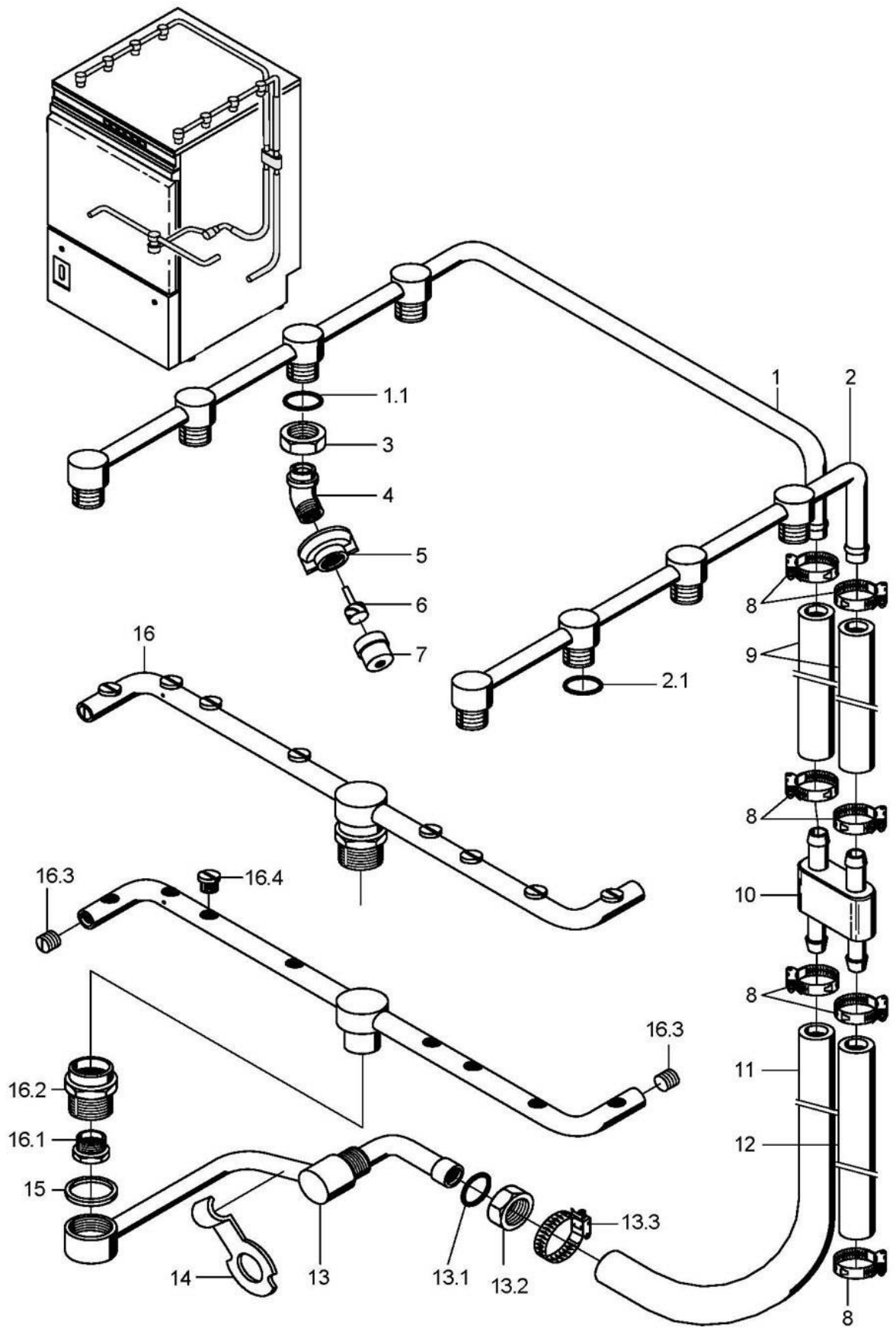


60002838-01

GS 14, 14E, 15, 15E

Pressure-independent boiler From machine no.: 345 472

Item.	Designation	Parts no.:	Pc.	Notes
1	Set tank inlet	60002686		incl. item 1.1 - 1.2
1.1	Gasket; D21 X D28 X 2,0	27 09 011		replaced by 60002686
1.1	Gasket; D20,5 X D28,5 X 2,0	27 01 002		replaced by 60002686
1.1	O-ring; 20 X 3	27 07 031		
1.2	Hose clamp; D20-30 X 12	28 02 109		
2	Industrial hose; DN13 X 3,5	40 02 035		650 mm; "By-the-metre" goods
3	Hose clamp; D20-30 X 12	28 02 109		
4	T-piece; D6,6 X D14 X D14	35 01 086		
5	Industrial hose; DN13 X 3,5	40 02 035		
6	Boiler aquamatik	60002914		from 11/98 round; up to 10/98 cornered
6	Pressureless boiler 2 temperatures	60002685		for 2 thermostats
6.1	Gasket; D10 X D18 X 1,5	27 03 003		
6.2	Hexagon screw; M10 X 16; A70	20 01 352		
6.3	Floating switch installation set	55 28 255		
6.3	Rubber seal; D27 X D20 X 14	31 26 036		
7	O-ring; 43 X 7,0	27 07 088		
8	Heating element cranked 2,2kW; 230V/1	31 03 082		GS 14 / GS 14E
8	Heating element 2,0kW; 240V/1	31 03 088		GS 14 / GS 14E
8	Heating element cranked 2,2kW; 200V/1	31 03 108		GS 14 / GS 14E
8	Heating element cranked 5,0kW; 230V/400V/3	31 03 030		GS 15 / GS 15E
8	Heating element cranked 5,0kW; 240V/420V/3	31 03 032		GS 15 / GS 15E
8	Heating element cranked 5,0kW; 200V/346V/3	31 03 098		GS 15 / GS 15E
9	Cable gland; PG13,5; 6-12 MM; IP68	31 10 040		
10	Clamping plate; D43 X D80 X 4,0	55 19 018		
11	Hexagonal nut; PG13,5	31 10 041		
12	Hexagonal nut; M5	21 01 203		
13	Element cover; 50 X D67 X 89,5	31 03 014		
14	Spring; D0,8 X DI10 X 280	62002419		
15	Cable tie; 200 X 4,7	31 20 015		
16	Hose; DN5 X 1,5	40 01 024		
17	Hose clamp; D50-215 X 12	28 02 126		
18	Gasket; D21 X D28 X 2,0	27 09 011		to machine no.: 413 549
19	Hose socket; D26 X 31; G 1/2"; SW27	62002454		to machine no.: 413 549
20	Hose clamp; D24-36 X 12	28 02 111		
21	Reinforced hose; DN25 X 4,5	40 01 038		80 mm; "By-the-metre" goods
22	Pump 0.270 kW 8/0; 220/240V/1/50HZ	31 02 477		
22	Pump 0.270 kW 8/0; 220/240V/1/60HZ	31 02 445		
22	Pump 0.270 kW 8/0; 200V/1/50HZ	31 02 446		
22	Pump 0.270 kW 8/0; 200V/1/60HZ	31 02 447		
22.1	Capacitor; 5 MIKRO F	31 13 099		
23	Washer; D5,3 X D10 X 1,0	22 01 300		
24	Hexagonal nut; M5 SELBSTSICHERND	21 05 302		
25	Pump cover; 0,8 X 143,6 X 156,3	60002234		
26	Edge protection profile; U9,5 X 2,0	40 04 015		155 mm; "By-the-metre" goods
30	Star bridge; 2,5QMM; 90 LG	31 23 088		
o.P.	Splash guard for rinse pump; 75,9 X 99,2 X 100	60002153		

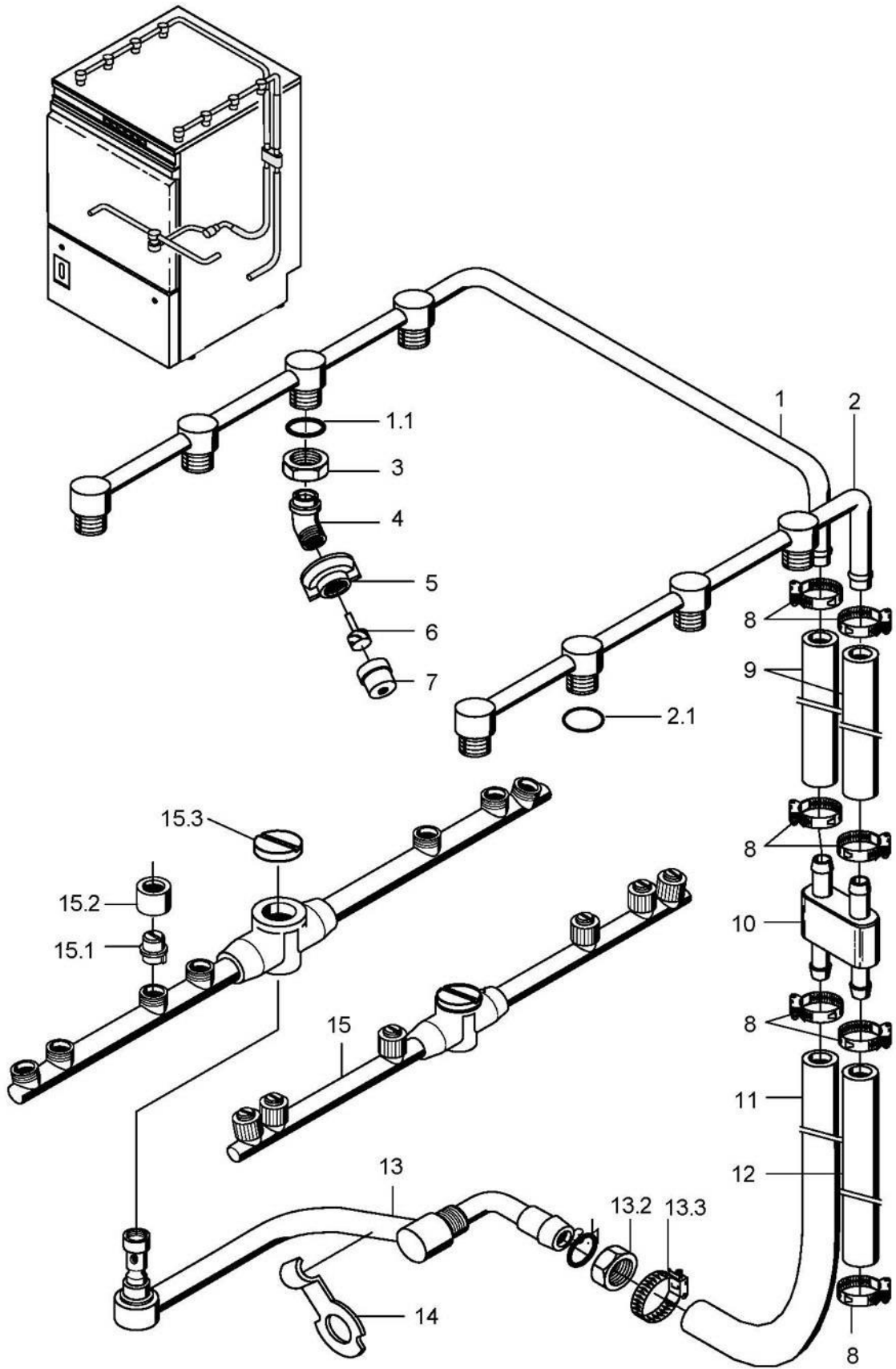


60002839-01

GS 14, 14E, 15, 15E

Rinse system to machine no.: 396 847

Item.	Designation	Parts no.:	Pc.	Notes
1	Rinse manifold	62002842		incl. item 1.1
1.1	Gasket; D17 X D24 X 2,0	27 09 009		to machine no.: 381 854
1.1	O-ring; 16 X 2,5	27 07 001		From machine no.: 381 855
2	Rinse manifold	62002841		incl. item 2.1
2.1	Gasket; D17 X D24 X 2,0	27 09 009		to machine no.: 381 854
2.1	O-ring; 16 X 2,5	27 07 001		From machine no.: 381 855
3	Hexagonal nut; G 3/8" X 5,5; SW22	30 09 200	8	
4	Rinse jet adapter	60001810	8	
5	Union nut; G 3/8"; D34 X 15	62001174	8	
6	Spray jet swirl	65002755	8	
7	Rinse jet cap	65002754	8	
8	Hose clamp; D20-30 X 12	28 02 306		
9	Industrial hose; DN13 X 3,5	40 02 035		280 mm; "By-the-metre" goods
10	Distributor for rinse manifold	62001391		
11	Hose elbow; DN13,5 X 3,5	62001573		adapt
12	Hose elbow; DN13,5 X 3,5	62001573		Pressure boiler
12	Set hoses	60002554		up to mach. no. 345 471 Pressure-independent boiler
12	Reducing elbow; DN13 X DN25	60002235		from mach. no. 345 472 Pressure-independent boiler
13	Revolving arm kit	55 10 114		incl. revolving arm 62002891
13.1	Gasket; D17 X D24 X 2,0	27 09 009		to machine no.: 381 854
13.1	O-ring; 16 X 2,5	27 07 001		From machine no.: 381 855
14	Bracket; 0,8 X 50 X 92,3	60002320		retrofitable
15	Gasket; D27 X D34 X 2,0	27 09 025		
16	Revolving arm; 470 LG	62001958		incl. item 16.1 – 16.4
16.1	Threaded nipple; M14 X 1,0 X 13; SW19	20 19 204		
16.2	Rev. Rinse arm socket; R 3/4" X 24,5; SW30	35 01 161		
16.3	Threaded stud; M11 X 1,0 X 8	29 10 239	2	
16.4	Flat jet nozzle; 1/16 NPT; SW10	29 10 312	8	

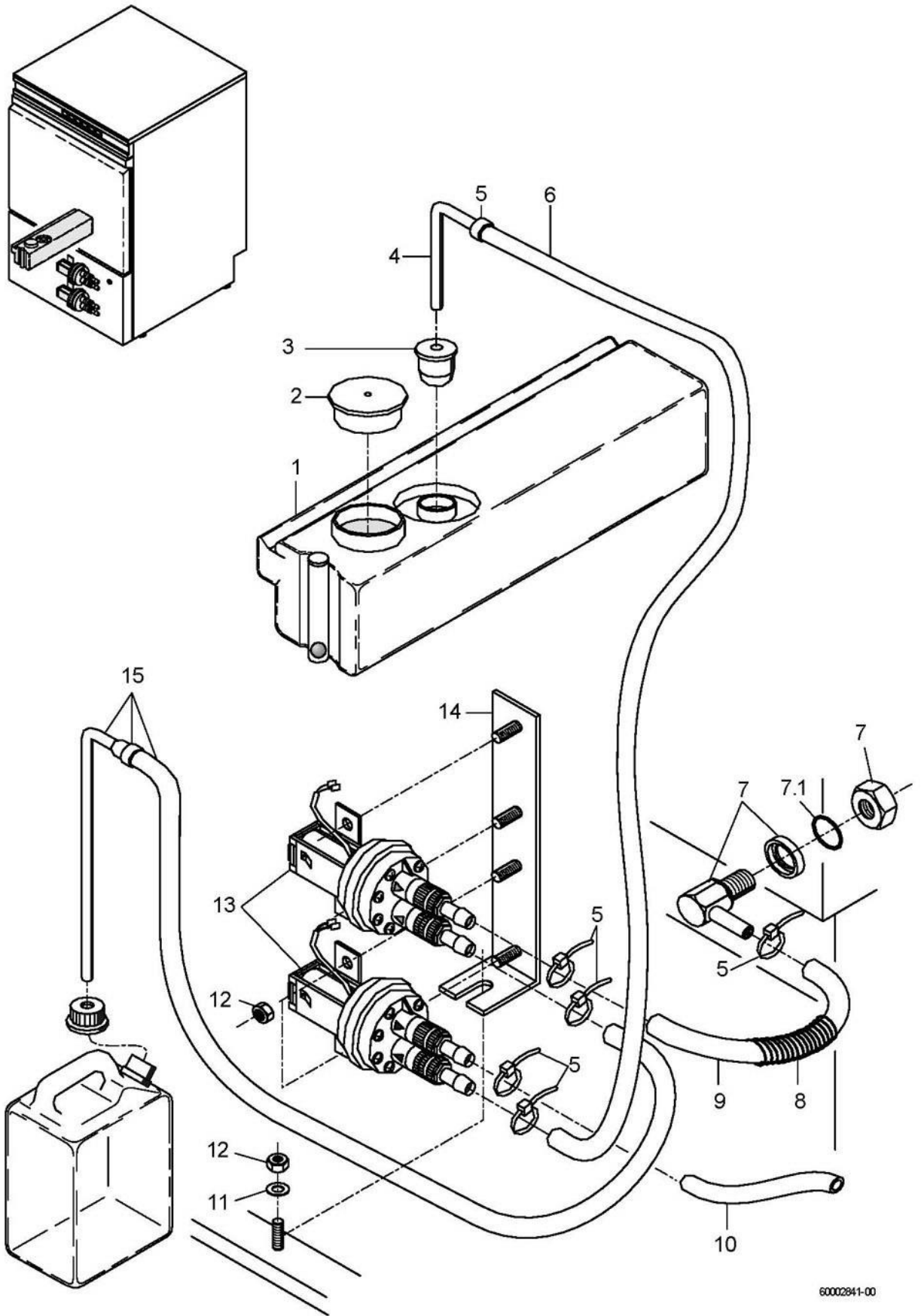


60002840-00

GS 14, 14E, 15, 15E

Rinse system From machine no.: 396 848

Item.	Designation	Parts no.:	Pc.	Notes
1	Rinse manifold	62002842		incl. item 1.1
1.1	O-ring; 16 X 2,5	27 07 001	4	
2	Rinse manifold	62002841		incl. item 2.1
2.1	O-ring; 16 X 2,5	27 07 001	4	
3	Hexagonal nut; G 3/8" X 5,5; SW22	30 09 200	8	
4	Rinse jet adapter	60001810	8	
5	Union nut; G 3/8"; D34 X 15	62001174	8	
6	Spray jet swirl	65002755	8	
7	Rinse jet cap	65002754	8	
8	Hose clamp; D20-30 X 12	28 02 306		
9	Industrial hose; DN13 X 3,5	40 02 035		280 mm; "By-the-metre" goods
10	Distributor for rinse manifold	62001391		
11	Hose elbow; DN13,5 X 3,5	62001573		adapt
12	Hose elbow; DN13,5 X 3,5	62001573		Pressure boiler
12	Reducing elbow; DN13 X DN25	60002235		Pressure-independent boiler
13	Rinse arm support cpl.	62002879		incl. item 13.1 - 13.3
13.1	O-ring; 16 X 2,5	27 07 001		
13.2	Hexagonal nut; G 3/8" X 5,5; SW22	30 09 200		
13.3	Hose clamp; D20-30 X 12	28 02 306		
14	Bracket; 0,8 X 50 X 92,3	60002320		
15	Revolving arm	62002891		incl. item 15.1 – 15.3
15.1	Fan jet; size 8; D11,2 X 10	62002811		
15.2	Union nut; M14 X D9,1; D17	62002812		
15.3	Screw cap; M10 X D7,8 X D24	61005681		

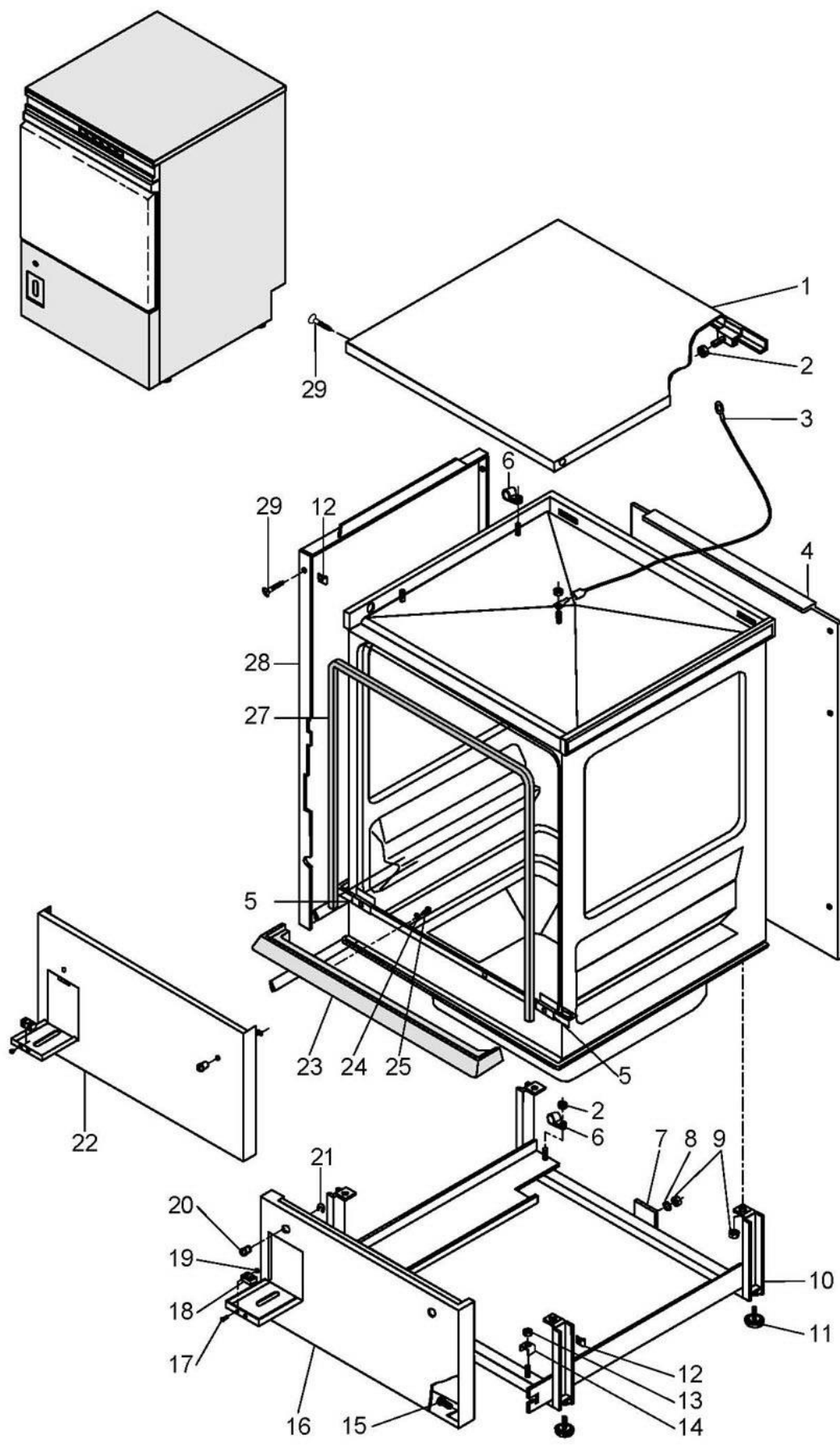


6002841-00

GS 14, 14E, 15, 15E

Dosage

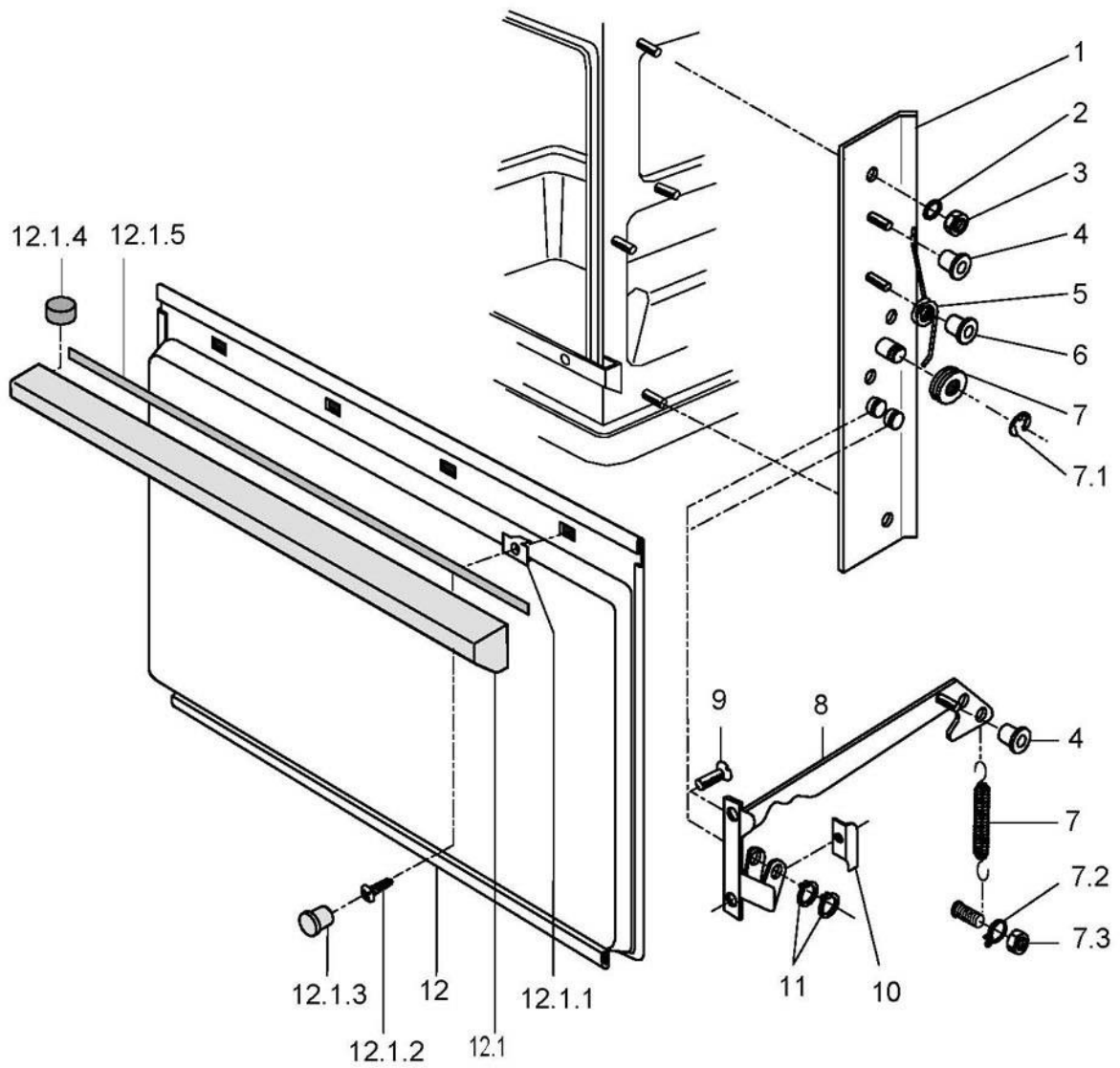
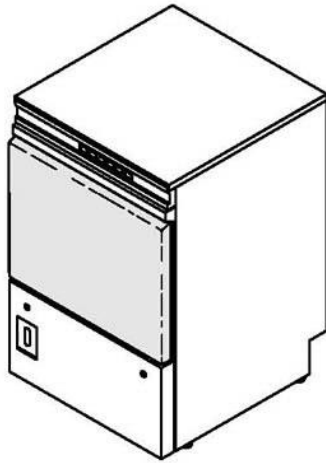
Item.	Designation	Parts no.:	Pc.	Notes
1	Rinse aid container	60001805		
2	Protective cap	60002216		
3	Reducing bush; D30 X 25	40 06 011		
4	Suction pipe; D6 X 1,0 X 97	60001933		
5	Wire hose clamp; D8,6 X 1	28 02 348		
6	Hose; DN5 X 1,5	40 01 024		650 mm; "By-the-metre" goods
7	Detergents dosing nipple set	62002869		incl. item 7.1
7.1	O-ring; 10 X 2,5	27 07 030		
o.P.	End cap; D5,7 X 25,4	35 06 180		
8	Spring; D0,8 X DI10 X 280	62002419		
9	Hose; DN5 X 1,5	40 01 024		300 mm; "By-the-metre" goods
10	Hose; DN5 X 1,5	40 01 024		300 mm; "By-the-metre" goods
11	Washer; D5,3 X D10 X 1,0	22 01 300		
12	Hexagonal nut; M5 SELBSTSICHERND	21 05 302		
13	ELT 10 replacement set	55 28 278		
14	Support for dispenser	60002813		
15	Suction stick cpl.	55 25 051		
o.P.	Set ELT 10 detergent dosing	55 28 188		GS 14 / GS 15
o.P.	Set ELT 10 detergent dosing	55 28 216		GS 14E / GS 15E



6002842-00

GS 14, 14E, 15, 15E**Chassis, container and panelling**

Item.	Designation	Parts no.:	Pc.	Notes
1	Top panel; 0,8 X 641,8 X 647,9	60001825		
2	Hexagonal nut; M4 SELBSTSICHERND	21 05 300		
3	Wire assortment switch panel; 1 X 0,75QMM; 90 LG	60002328		
4	Rear panel, long; 0,8 X 592 X 810,8	60001911		
4	Rear panel, 3/4 long; 0,8 X 592 X 715,8	60001909		extras
4	Sheet metal nut; B 3,9	21 17 300	6	extras
4	Plate screw; ST 3,9 X 13	20 21 302	6	extras
5	Splash guard; 1,0 X 30 X 74	60001957		to machine no.: 347 539
6	Nylon clip; 172 X 4,6; F.BOLZEN M5	31 20 008		
7	Motor bracket; 2,0 X 40 X 90	60001939		
8	Washer; D5,3 X D12 X 0,8 2202313	22 02 213		
9	Hexagonal nut; M4	21 01 302		
10	Base frame	60001812		
10	Base frame	60002022		Japan
11	Adjustable foot; M8 X 60; SW24	62001973	4	
12	Sheet metal nut; B 3,9	21 17 300		
13	Hexagonal nut; M6	21 01 304		
14	Clamp strap; 1,8 X 14 X 26,07	31 09 095		
15	Pan head screw; M5 X 20	20 10 325		
16	Front panel	60001871		to machine no.: 347 539
17	Countersunk screw; M3 X 16	20 08 205		
18	Magnet catch	28 05 044		
19	Hexagonal nut; M3	21 01 301		
20	Thread cap; M4 X D12; 13,5 LG	28 14 331		
21	Clipse; D6 X 1,0	71002952		
22	Front panel	60002189		From machine no.: 347 540
23	Panel for trough	60001801		to machine no.: 347 539
24	Gasket; M4	22 08 502		
25	Raised head screw; M4 X 8	20 10 310		
27	Profile gasket; 10 X 4,0	62001618		550 mm; metre ware; up to mach. no. 358 343
27	Door seal; 445 X 550	60002704		From machine no.: 358 344
28	Housing panel left compl.	60001905		to machine no.: 347 539
28	Housing panel left compl.	60002264		From machine no.: 347 540
o.P.	Housing panel right	60001907		to machine no.: 347 539
o.P.	Housing panel right	60002266		From machine no.: 347 540
29	Sheet metal screw; ST 3,9 X 13	20 20 310		
o.P.	Plate CE; 0,1 X 42,5 X 55	28 03 337		
o.P.	Silicone adhesive Elastosil E43; 90 ML	34 03 012		for profile seal
o.P.	Base cover; 1,0 X 531 X 582	60002023		extras

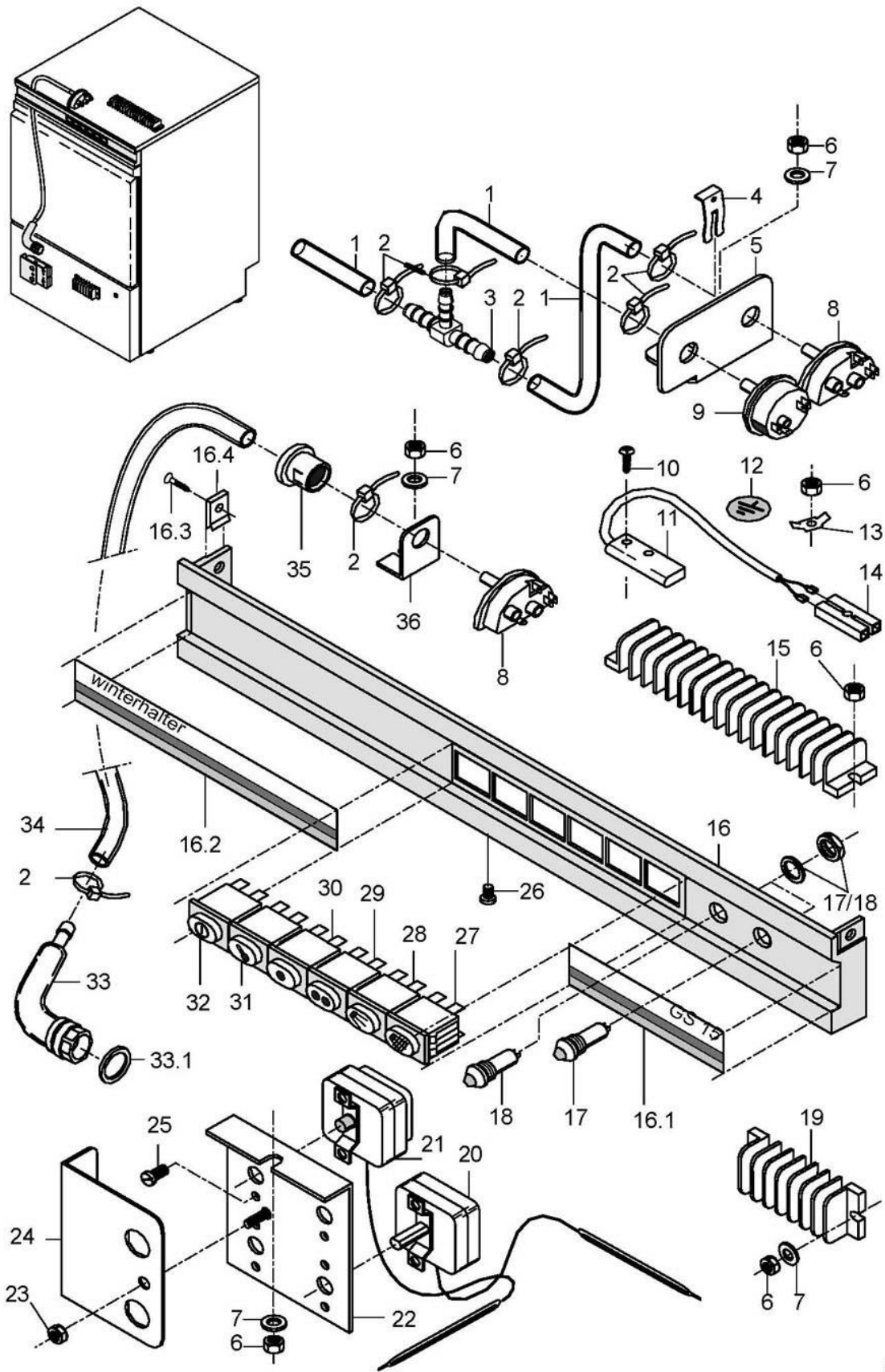


60002843-00

GS 14, 14E, 15, 15E

Door

Item.	Designation	Parts no.:	Pc.	Notes
1	Door suspension right cpl.	60001837		
2	Washer; D5,3 X D15 X 1,2	22 05 301		
o.P.	Door brace left cpl.	60001841		
3	Hexagonal nut; M5 SELBSTSICHERND	21 05 302		
4	Buffer; D20 X 8	62001433	4	
5	Tension spring right; LO13,95; DA18; D3	62001189		
o.P.	Tension spring left; LO13,95; DA18; D3	62001190		
6	Pivot bearing f/tension spring; D20 X 14	62001191	2	
7	Set door lever roller 14/15/29	55 28 193		incl. item 7.1 – 7.3
7.1	Locking disk; D6 X 0,7	23 10 304	2	
7.2	Hose clip; D9 X 1	28 02 133	2	
7.3	Hexagonal nut; M5 SELBSTSICHERND	21 05 302	2	
8	Door brace right cpl.	62001836		
9	Countersunk screw; M5 X 12	20 12 303		
o.P.	Door brace left cpl.	62001837		
10	Set splash angle door	55 28 200		retrofitable
11	Locking disk; D6 X 0,7	23 10 304	4	
12	Door cpl.	60001890		incl. item 12.1
12.1	Door handle kit	55 15 163		incl. item 12.1.1 - 12.1.5
12.1.	Expanding nut; 7,75 X 9,5 X 11	62002832		
12.1.	Sheet metal screw; ST 3,9 X 16	20 20 306		
12.1.	Plug; D11 X 4,8	35 01 213	4	
12.1.	Magnet; D10 X 10	31 24 191		
12.1.	Door seal; 2,5 X 9,5 X 594,5	62001953		produced from 62001948

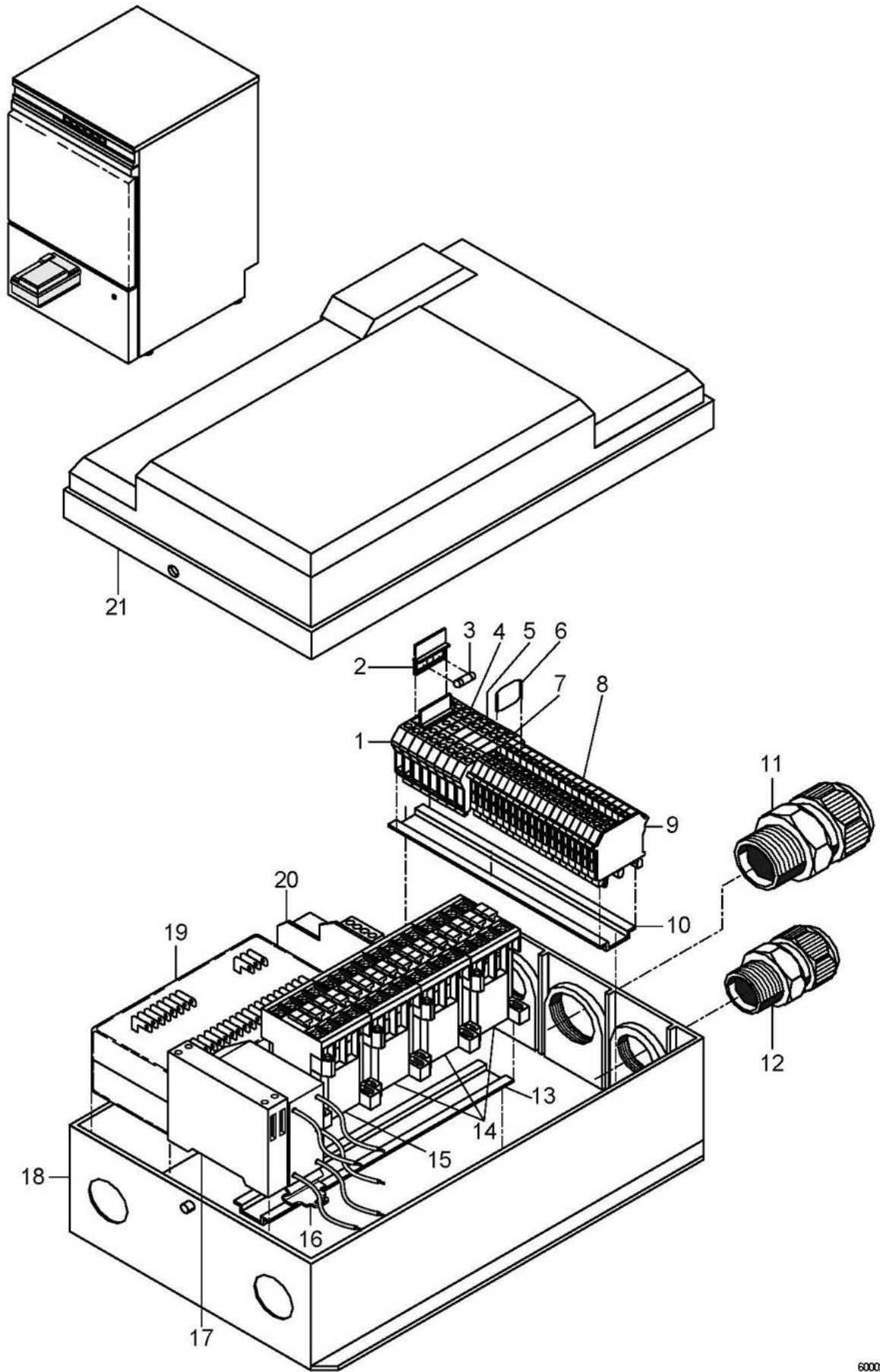


60002454-00

GS 14, 14E, 15, 15E

Electrical parts I

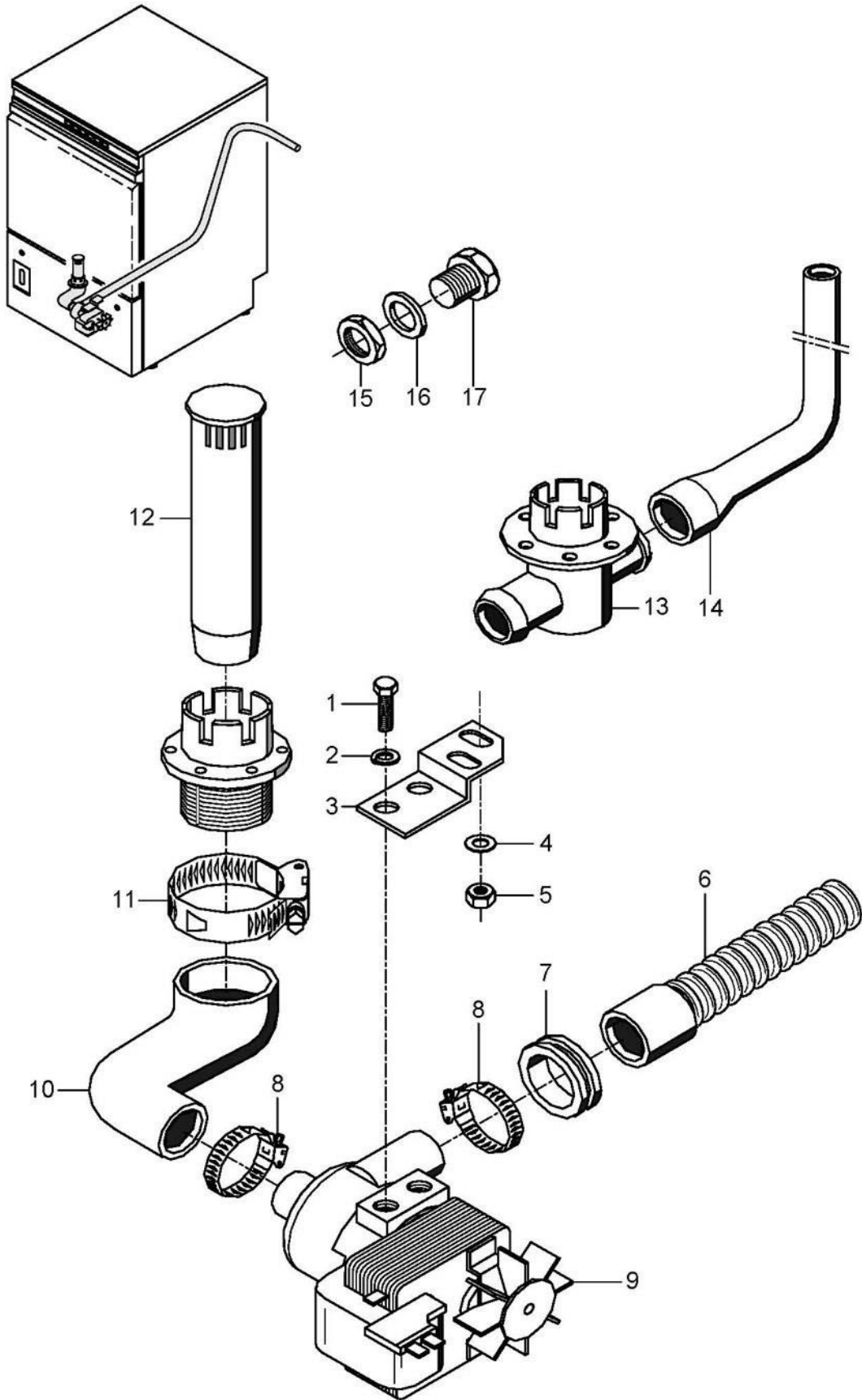
Item.	Designation	Parts no.:	Pc.	Notes
1	Hose; DN5 X 1,5	40 01 024		1100 mm; "By-the-metre" goods GS 14E / GS 15E
2	Wire hose clamp; D8,6 X 1	28 02 348		
3	T-hose socket; D6	29 06 516		GS 14 / GS 14E
4	Retaining spring for leveller	31 26 001		GS 14 / GS 14E
5	Bracket; 1,0 X 54 X 90	60002733		GS 14 / GS 14E
6	Hexagonal nut; M4 SELBSTSICHERND	21 05 300		
7	Washer; D4,3 X D8 X 0,5	22 02 202		
8	Level control; 250V/50-60HZ	31 26 035		
9	Level switch; 250V/50-60HZ	31 26 042		GS 14 / GS 14E
o.P.	Set safety level switch	55 28 243		GS 14 / GS 14E
10	PT screw; KB 50 X 10	20 17 304		
11	Magnetic switch; 180-265V AC 50/60HZ	31 24 221		
12	Protection symbol green/yellow; D16	31 09 096		
13	Flat plug; 6,3 X 0,8; D5,2	31 12 003		
14	Coupler piece, insulated; 250V;20AWG;25A;2-POLIG	31 12 021		
15	Terminal strip; 16-POLIG	31 09 154		
16	Screen	55 19 100		incl. item 16.1 – 16.4
16.1	Strip label GS 14; 0,4 X 25 X 109,5	60002454		
16.2	Plate "winterhalter"; 0,4 X 25 X 280	60001828		
16.1	Strip label GS 14E; 0,4 X 25 X 109,5	60002350		REG
16.3	Sheet metal screw; ST 3,9 X 13	20 20 310		
16.1	Strip label GS 15; 0,4 X 25 X 109,5	60002455		
16.4	Sheet metal nut; B 3,9	21 17 303		
16.1	Strip label GS 15E; 0,4 X 25 X 109,5	60002351		REG
17	LED red; 12V; 30MA	31 08 111		REG GS 14E / GS 15E
18	LED yellow; 12V; 30MA	31 08 112		DOS extras
19	Terminal strip; 9-POLIG	31 09 155		
20	Thermostat; 1750 LG; 220V	31 25 013	2	
21	Safety thermostat; 160 GRAD C -12K "AUS"	31 25 030	2	
22	Hose elbow 90°; DN13,5X3,5;34,7X89,7	62002064		
23	Hexagonal nut; M5 SELBSTSICHERND	21 05 302		
24	Safety cover; 2,0 X 50 X 68 X 72	60002063		From machine no.: 337 619
25	Countersunk screw; M4 X 8	20 10 309		
26	Countersunk screw; M4 X 6	20 12 302	3	
27	Pressure key "manual rinsing"; 250V; AC; 2-POL; IP54	31 24 129		
28	Pressure switch "manual wash"; 250V; AC; 2-POL; IP54	31 24 128		
29	Pressure key "Programme II"; 250V; AC; 1-POL; IP54	31 24 130		
30	Pressure key "Programme I"; 250V; AC; 1-POL; IP54	31 24 153		
31	Lamp with extinction resistor; 230V; IP54	31 08 116		
32	Pressure switch "ON/OFF" - "H"; 250V; AC; 2-POL; IP54	31 24 185		
o.P.	Press. Switch "heating manual"; 250V; AC; 2-POL; IP54	31 24 192		
33	Air chamber cpl.	55 04 024		incl. item 33.1
33.1	O-ring; 24 X 3,0	27 07 087		
34	Hose; DN5 X 1,5	40 01 024		1200 mm; "By-the-metre" goods
35	Bushing nipple; D12,7	31 10 069		
36	Support bracket f/level switch; 1,0 X 30 X 54	62001350		



60002846-00

GS 14, 14E, 15, 15E**Electrical parts II**

Item.	Designation	Parts no.:	Pc.	Notes
1	Universal fuse clip	31 09 063	2	
2	Securing plug	31 09 072	2	
3	Fine fuse, medium time lag; 250V; 6,3A; 5 X 20	31 11 043	2	
4	UDK 4-PE double terminal	31 09 153	2	
5	UDK 4 BU double terminal	31 09 152		
6	Isolating disk	31 09 066		
7	UDK 4 double terminal	31 09 151	3	
8	Double terminal, UK, 5-Twin	31 09 115	19	
9	Cover	31 09 177		
o.P.	Fixed bridge; 2-POLIG;	31 09 126		
10	Snap-on rail; 7,5 X 35 X 172	60001733		
11	Cable gland; PG29; 16-25 MM; IP68	31 10 123	2	
12	Cable gland; PG21; 10-18 MM; IP68	31 10 070		
13	Snap-on rail; 7,5 X 35 X 249	62001917		
14	Contacteur A16:3S: 1 N/C contact; 230V/50-60HZ; 7,5KW	31 04 162	3	
14	Contacteur A16:3S: 1 N/C contact; 200V/50-60HZ; 7,5KW	31 04 163	4	Japan
15	Contacteur; A9-3S-1Ö; 230V/50-60HZ; 4KW	31 04 161		
16	Anti interference suppressor; 250VAC/16A	31 13 112		
17	Relais; AC 180-254V, 2A	31 04 139		for door magnet switch
18	Relais box bottom part; 58 X 190 X 350	60001720		
19	Programme switch EPS1.1; 230V/50-60HZ	31 05 131		
19	Programme switch EPS1.1 V2.0; 200V/240V 50-60HZ	31 05 132		
21	Contacteur box cover; 48 X 179 X 351	62001659		
20	Set soft start	55 28 253		
o.P.	Radio interference suppression capacitor; 0,27MF + 2 X 27000PF	31 13 078		
o.P.	Set impulse filling	80002133		
o.P.	Wire assortment pulse controlled filling; 0,75QMM	60002519		
o.P.	Clock unit; AC 220-240V	31 04 152		impulse filling
o.P.	Wiping function relay; 220-240V AC,15-300SEC	31 04 150		GS 14E / GS 15E with ELT10 detergent dosage unit

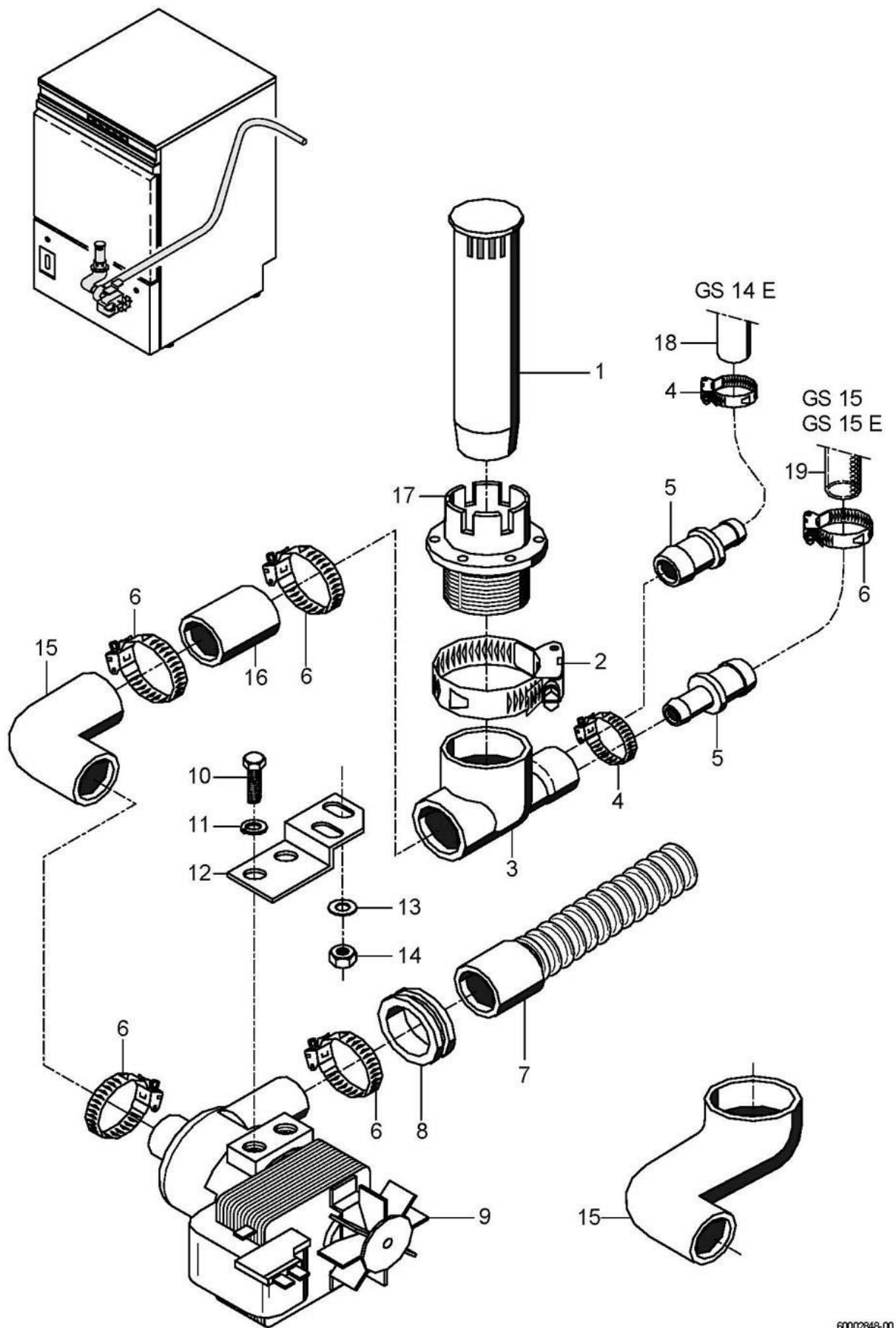


60002847-00

GS 14, 14E, 15, 15E

Drain pump (optional) to machine no.: 360 703

Item.	Designation	Parts no.:	Pc.	Notes
1	Hexagon screw; M6 X 16; A70	20 01 306		
2	Spring washer; B6	23 03 300		
3	Support; 2,0 X 31 X 100	62001954		
4	Washer; D5,3 X D10 X 1,0	22 01 300		
5	Hexagonal nut; M5 SELBSTSICHERND	21 05 302		
6	Drain hose; 1500 LG	40 01 039		
7	Sleeve; 35 X 60 X 10	40 07 014		
8	Hose clamp; D24-36 X 12	28 02 111		
9	Drain pump; 220-240V/50HZ	31 02 010		
o.P.	Fan blade	31 02 256		
o.P.	Pump housing	31 02 344		
10	Reducing elbow; DN24 X DN36	62002804		adapt
11	Hose clamp; D32-52 X 12	28 02 110		
12	Standpipe; ÜBERLAUFHÖHE 170	60002518		
13	Set stand pipe bottom part	55 28 223		GS 14E / GS 15E
14	Reducing elbow; DN13 X DN25	62002145		GS 14E / GS 15E from reclaiming process
15	Hexagonal nut; G 1/2" X 8,0; SW27	30 09 201		
16	Gasket; D21 X D28 X 2,0	27 09 011		
17	Dummy plug; G 1/2" X 20,5	35 01 108		
o.P.	Set drain pump	55 28 159		
o.P.	Cable drain pump; 3 X 0,75QMM	62001929		

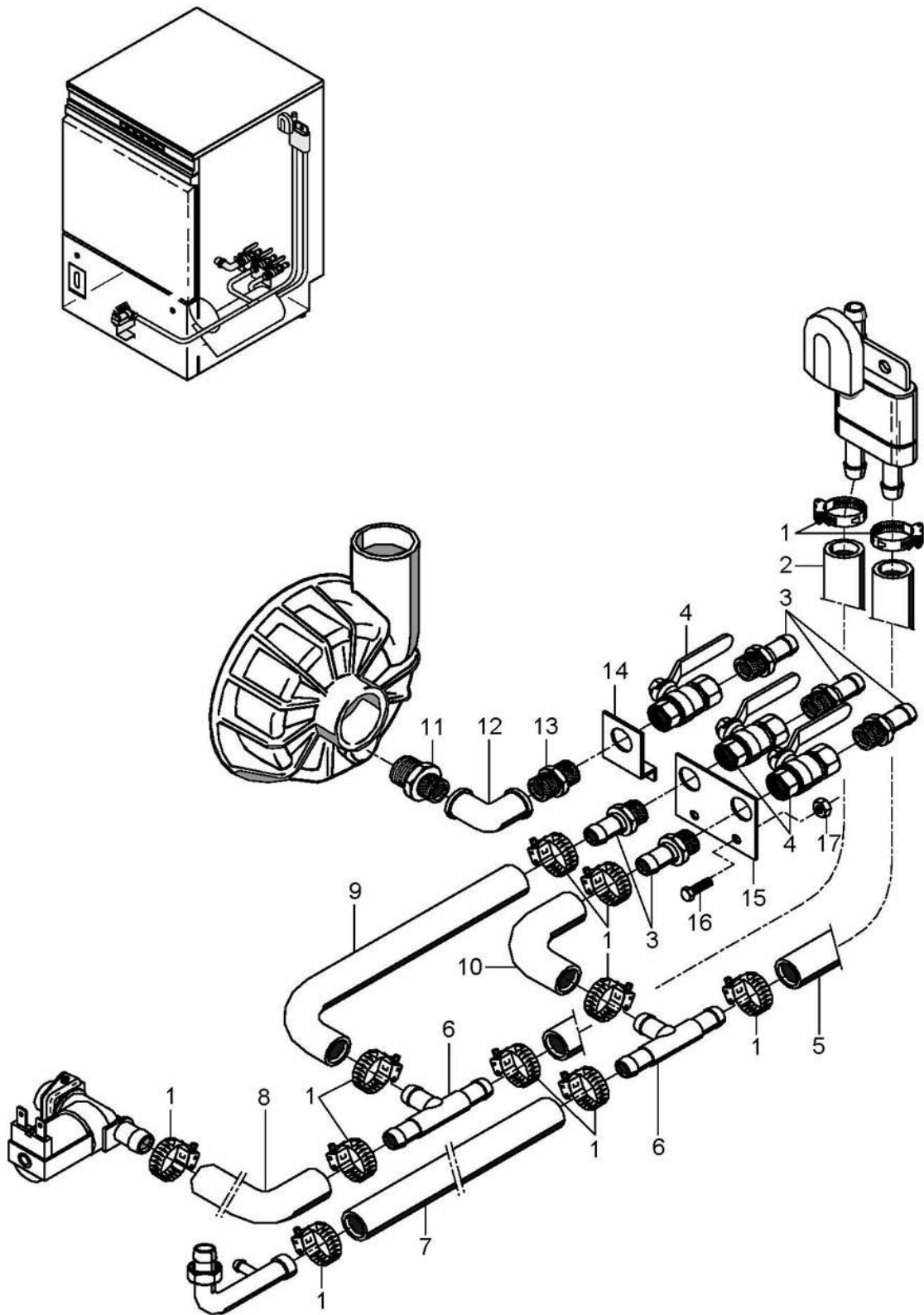


60002948-00

GS 14, 14E, 15, 15E

Drain pump (optional) From machine no.: 360 704

Item.	Designation	Parts no.:	Pc.	Notes
1	Standpipe; ÜBERLAUFHÖHE 170	60002518		
2	Hose clamp; D32-52 X 12	28 02 110		
3	T-piece; DN39 X DN24 X DN19	60002434		
4	Hose clamp; D20-30 X 12	28 02 109		
5	Hose connecting piece; 3/4" X 1/2" X 62 LG	29 06 520		
6	Hose clamp; D24-36 X 12	28 02 111		
7	Drain hose; 1500 LG	40 01 039		
8	Sleeve; 35 X 60 X 10	40 07 014		
9	Drain pump; 220-240V/50HZ	31 02 010		
o.P.	Fan blade	31 02 256		
o.P.	Pump housing	31 02 344		
10	Hexagon screw; M6 X 16; A70	20 01 306		
11	Spring washer; B6	23 03 300		
12	Support; 2,0 X 31 X 100	62001954		
13	Washer; D5,3 X D10 X 1,0	22 01 300		
14	Hexagonal nut; M5 SELBSTSICHERND	21 05 302		
15	Reducing elbow; DN24 X DN36	62002804		GS 14
16	Pipe; D25 X 1,5 X 30	62002131		GS 14E / GS 15 / GS 15E
17	Stand pipe bottom part; D87 X 50,5	62001805		
18	Industrial hose; DN13 X 3,5	40 02 035		550 mm; "By-the-metre" goods
19	Industrial hose; DN19,4 X 3,5	40 01 016		500 mm; "By-the-metre" goods
o.P.	Set drain pump	55 28 159		
o.P.	Cable drain pump; 3 X 0,75QMM	62001929		



60002849-00

GS 14, 14E, 15, 15E**Frost-proofing (optional)**

Item.	Designation	Parts no.:	Pc.	Notes
1	Hose clamp; D12-22 X 9	28 02 105		
2	Industrial hose; DN13 X 3,5	40 02 035		940 mm; "By-the-metre" goods
3	Hose socket; D12,5 X 40; G3/8"; SW22	61002776		
4	Ball tap; G 3/8"	29 03 503		
5	Industrial hose; DN13 X 3,5	40 02 035		1060 mm; "By-the-metre" goods
6	Hose T-connecting piece; D15 X D15 X D15	70010598		
7	Industrial hose; DN13 X 3,5	40 02 035		400 mm; "By-the-metre" goods
8	Industrial hose; DN13 X 3,5	40 02 035		200 mm; "By-the-metre" goods
9	Hose elbow 90°; DN13X4,0;50X1060	40 03 047		830 mm; "By-the-metre" goods
10	Hose elbow 90°; DN13X4,0;50X1060	40 03 047		830 mm; "By-the-metre" goods
11	Reducing nipple; G 1/2" X G 3/8"; SW24	30 11 302		
12	Elbow, R 3/8"	30 02 103		
13	Double nipple; G 3/8" X 32; SW22	30 11 200		
14	Bracket; 1,25 X 40 X 71,5	80001021		
15	Bracket; 1,25 X 50 X 100	80001022		
16	Hexagon screw; M5 X 16; A70	20 01 309		
17	Hexagonal nut; M5 SELBSTSICHERND	21 05 302		
o.P.	Anti-freezing without base frame	80001658		